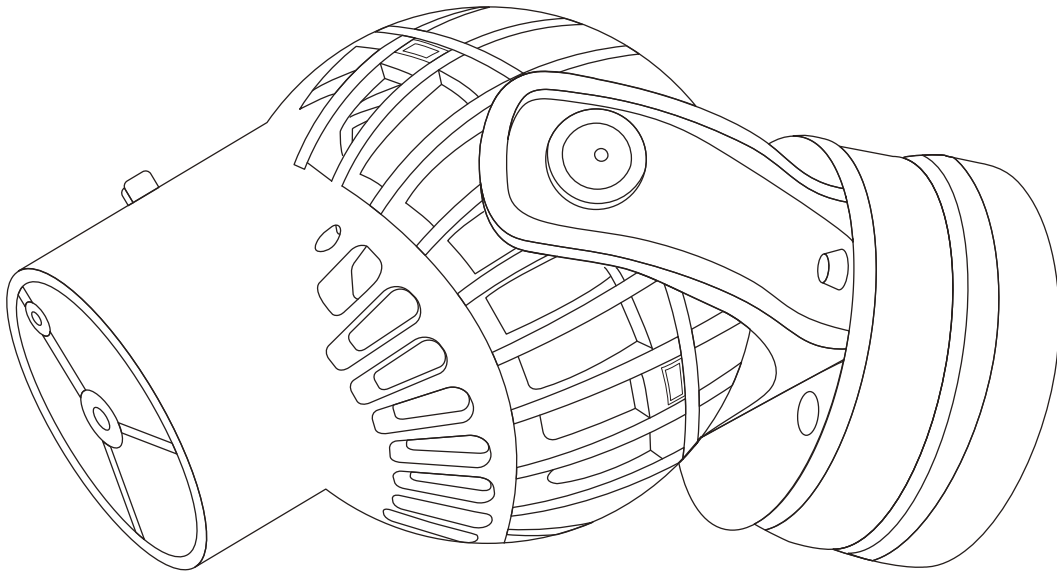




HG017 User Manual

hygger circulation and wave pump



WARNINGS:

1. To ensure performance, do not let the pump run dry.
2. Be careful when assemble the magnet base. Move the magnet base parallelly to the outside wall of fish tank to prevent it from breaking.
3. Do not immerse the plug into water or other liquid.
4. Do not allow children or inexperienced people to operate or play the product alone without safety supervision.

1. Introduction

The wave-making pump can make the water flow in the tank form large current and large circulation. It is beneficial to the stabilization of water quality, the increase of dissolved oxygen in water and the growth of fish.

Product Features:

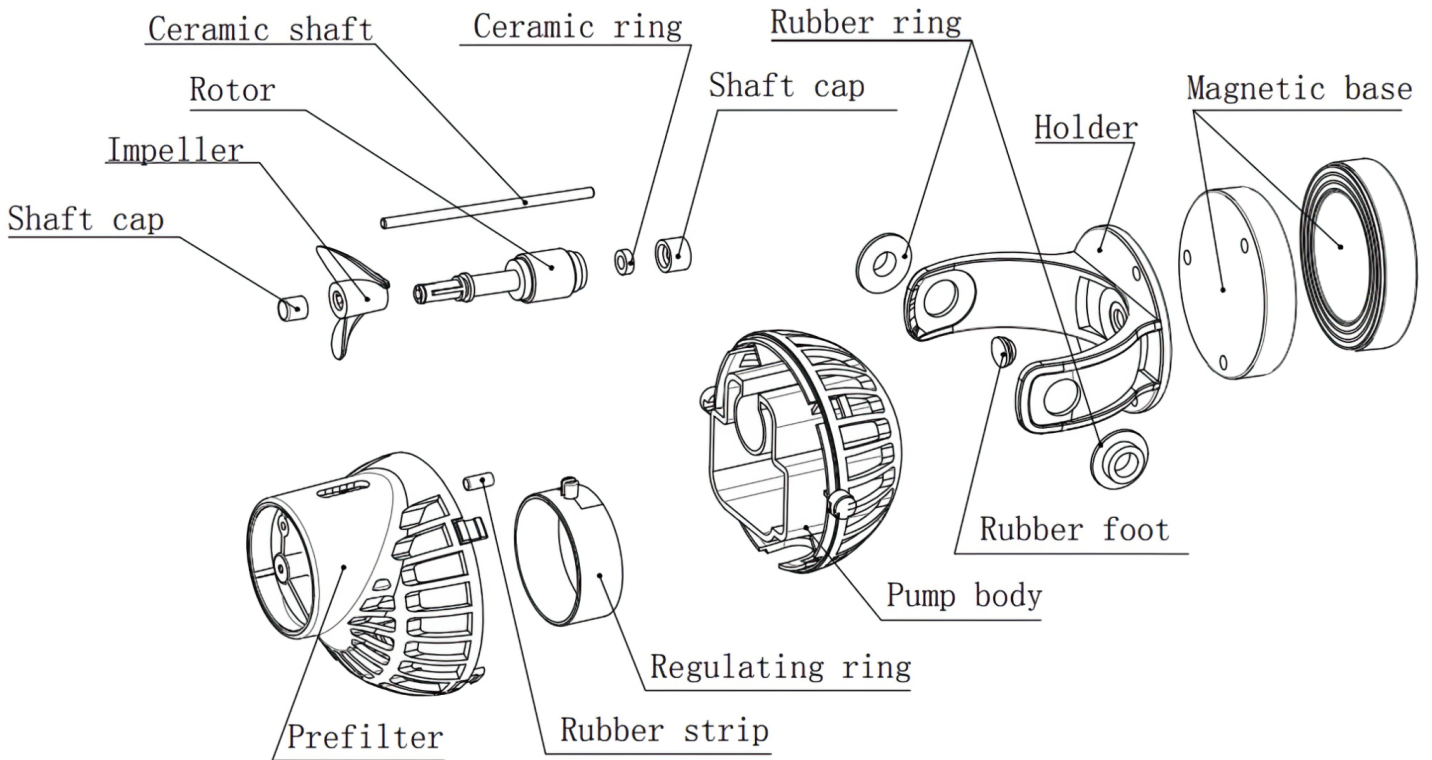
- Adjustable flow direction to different angles according to the needs.
- Adjustable flow rate according to the needs.
- High performance motor, low noise.
- Unique anti-reversal design.
- Wear-resistant ceramic shaft, suitable for fresh and salt water.
- Feeder function :The wave maker with switch can turn off when you feed the fish.

2. Product Specification:

Model	HG017-3000	HG017-5000	HG017-9000
Power (W)	4W	6W	12W
Volt/Freq	US standard:AC 110-120V/60Hz EU/UK standard: AC 220-240V/50Hz		
Flow rate (GPH)	792GPH (3000L)	1320GPH (5000L)	2378GPH (9000L)
Recommend tank size	3-15Gal (11~56L)	16-105Gal (60L~397L)	42-190Gal (159L~720L)
Recommend glass thickness	≤0.315" (8MM)	≤0.39"(10MM)	≤0.47"(15MM)

3. Installation Instructions

Installation Diagram:



1. Installation:

Remove the rear magnet base from the bottom of the pump.

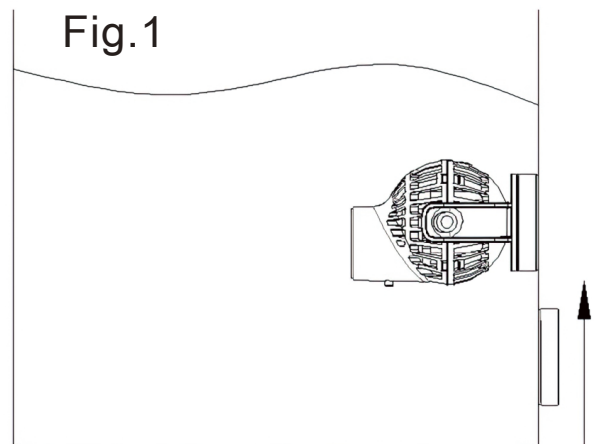
Place the pump at the center of the inner tank wall and hold it with one hand.

Shift the rear magnet base along the outside wall to the same position with the other hand to fix the pump.

(Fig. 1)

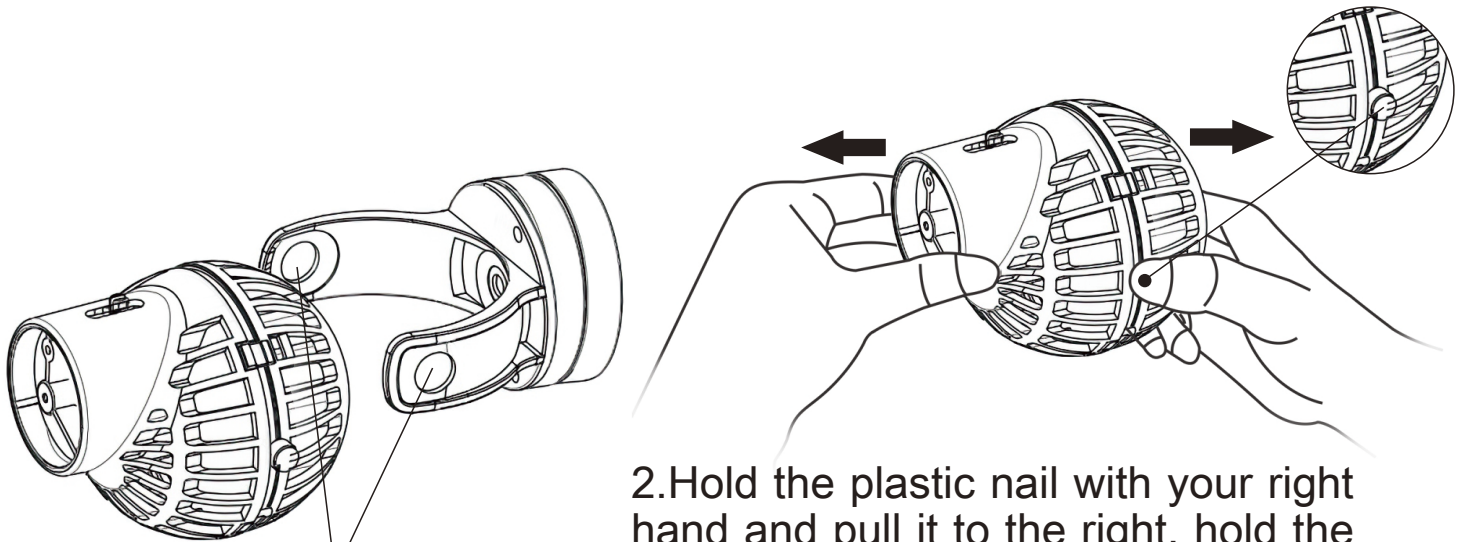
Caution: Be careful of fingers being clamped due to strong magnetism.

2. Plug in the power supply. The pump can start working.



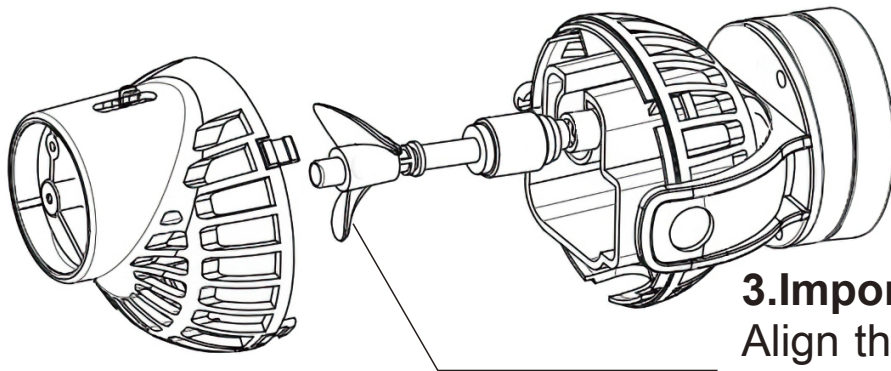
4. Maintenance:

1. Clean the pump regularly to ensure performance.



1. Take off pump base

2. Hold the plastic nail with your right hand and pull it to the right, hold the front cover with your left hand and pull it to the left.

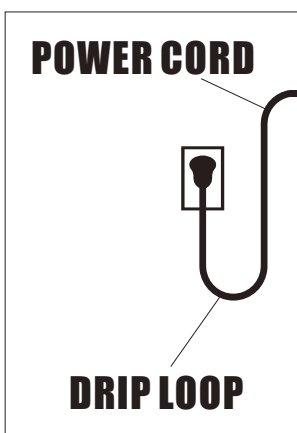


3. Important reminder:

Align the ceramic port, then insert it into the plastic cover.

2. Use soft cloth to clean the impeller and clean the pump with clear water.

3. The power cord of the pump must be below the power socket to form a drip loop to prevent water from flowing into the power socket along the power cord.



4. Disposal:

Please don't dispose this product as unsorted municipal waste. Collection of such waste separately for special treatment is necessary. Not put it together with the domestic waste which should be solved as an authorized place for recycling of electrical and electronic appliances for collecting and recycling waste. Please consult with your local seller to make sure the product is disposed in an environmental friendly way.

5. Package Included:

- 1 × Wave pump
- 1 × User manual

6. Contact Information

E-mail: service@hygger-online.com

Website: www.hygger-online.com