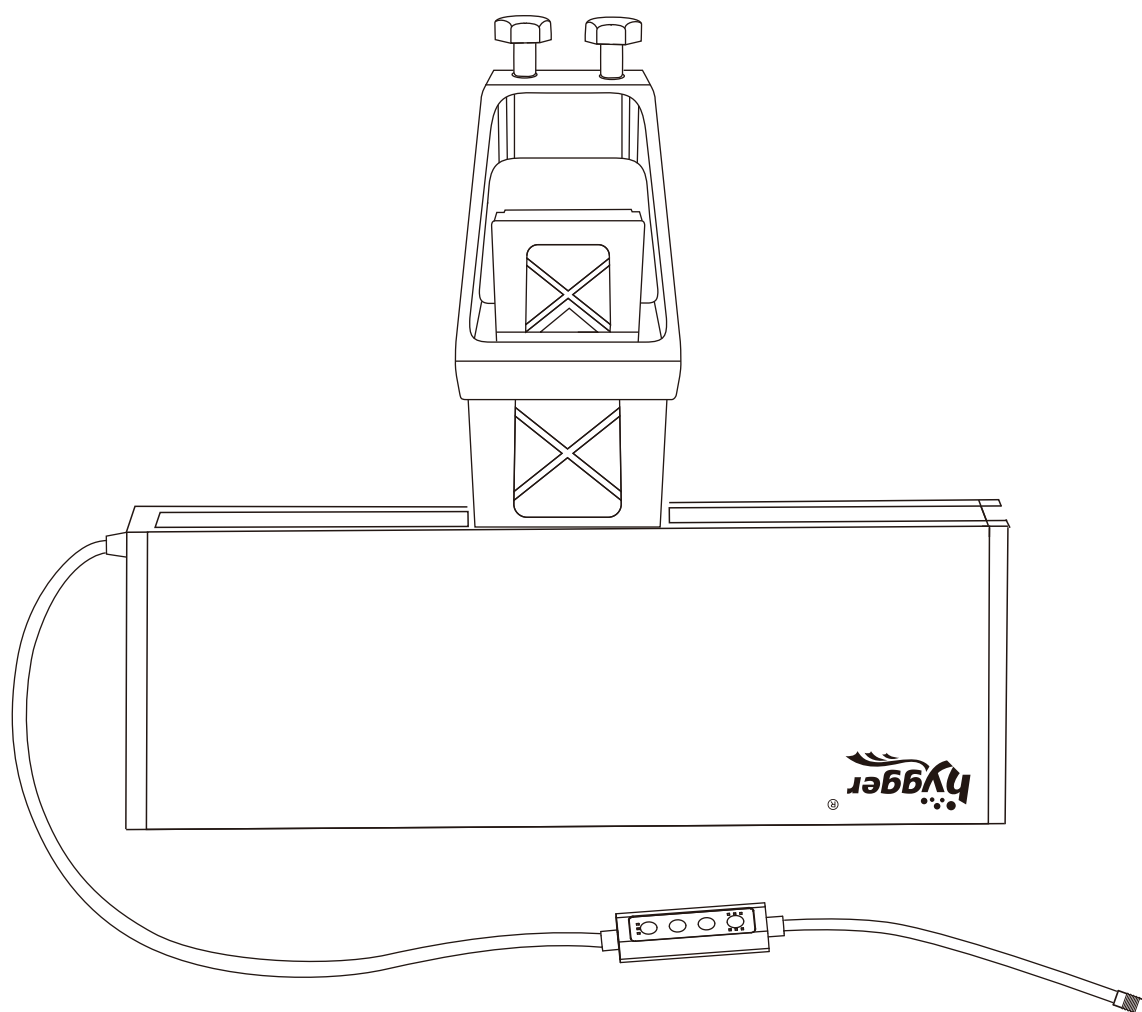




HG018 USER MANUAL

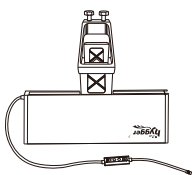
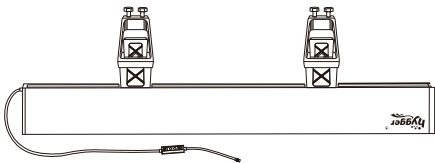
hygger + 24/7 aquarium clip-on light

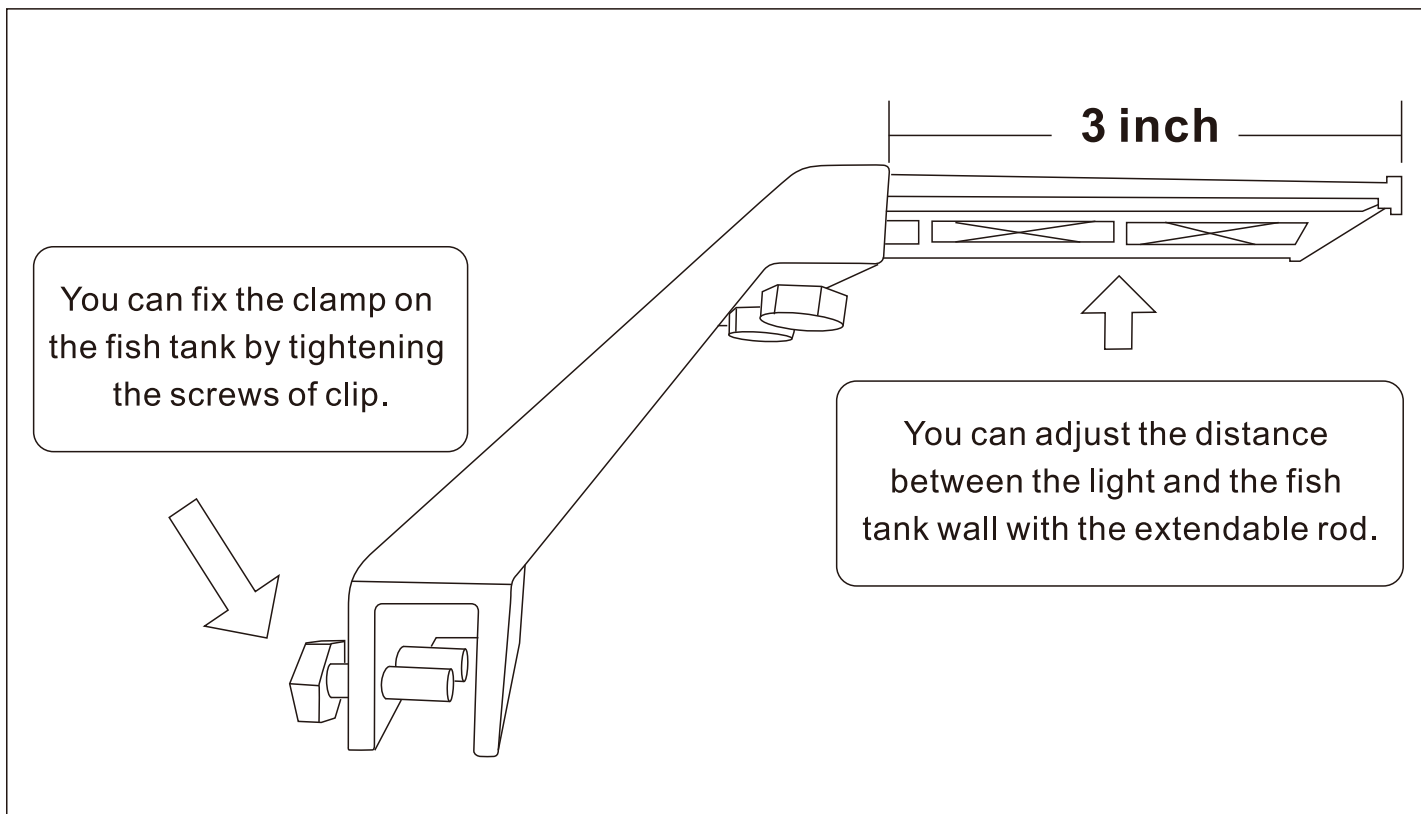
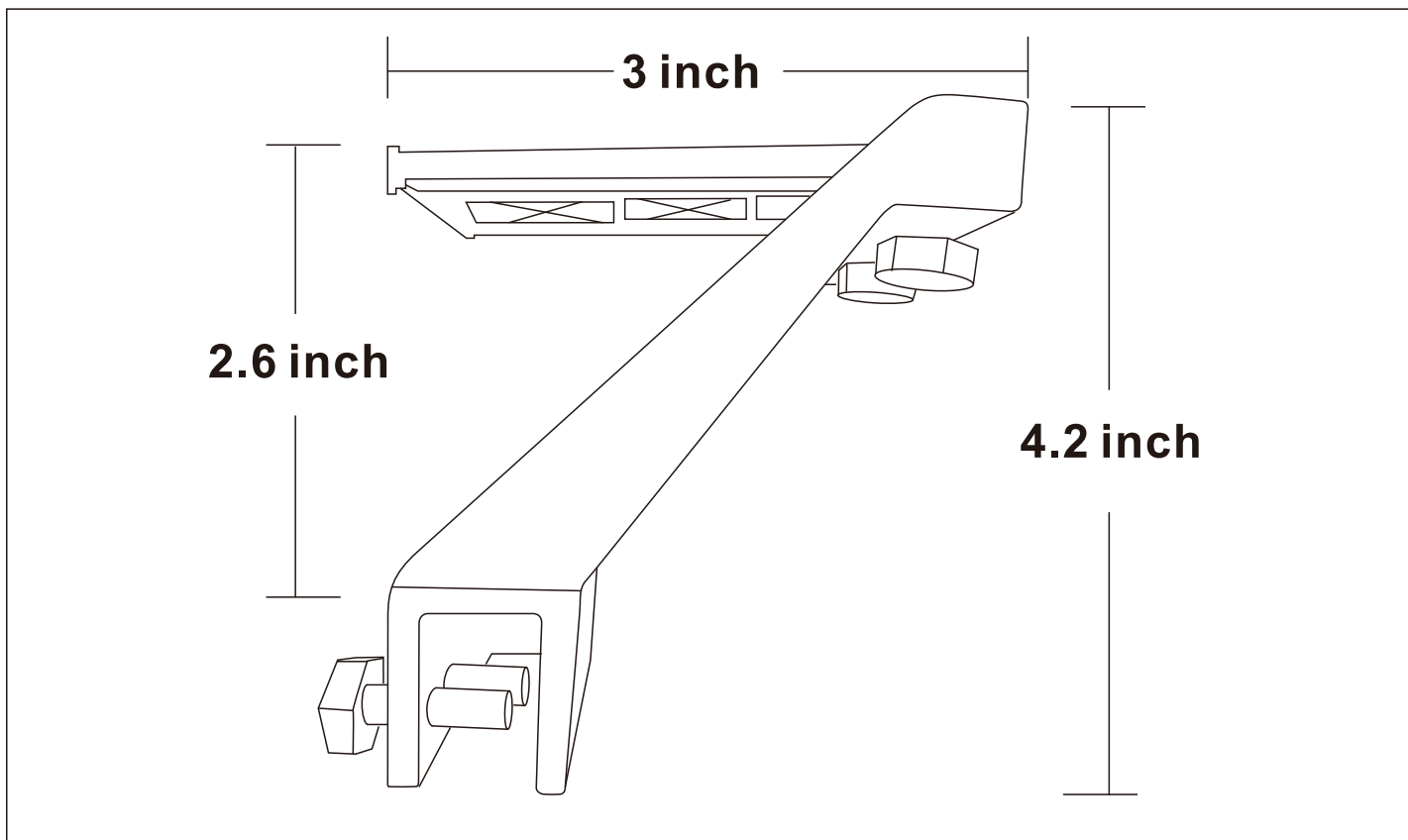


1.PRODUCT FEATURES

- **Super bright** : Use 5050 RGB and ultra-bright 2835 lamp beads to form a full spectrum grass light. High color rendering index.
- **Adjustable timer** : You can customize the time period of the daylight. Three time periods are available: 6 hours, 10 hours, and 12 hours. You can also customize the time period of the night light. Three time periods are available: 3 hours, 5 hours, and 12 hours. You can just set the daylight or moonlight mode, or set them both.
- **Adjustable brightness**:The lighting mode can be adjusted to 6 stages of brightness (10%-25%-35%-50%-75%-100%-75%-50%-35%-25%-10%).
- **Fit for tank thickness less than 0.74 inches**: This Led aquarium light fits for most rim and rimless fish tanks with tank glass thickness up to 0.74 inches.
- **Excellent quality**: Suitable for plant and freshwater aquariums and the lamp beads is IP68 waterproof.
- **Power failure memory function**: If the light suddenly loses power, other settings will remain the same, only the time will change. After the power is off, whether it is in DAY-L/MOON-L mode or manually mode, the default operation will start at 6 am every day.

2. PRODUCT PARAMETERS

MODEL	HG018-14W	HG018-18W	HG018-22W	HG018-26W	HG018-36W	HG018-42W
INPUT VOTAGE	AC100-240V	AC100-240V	AC100-240V	AC100-240V	AC100-240V	AC100-240V
OUTPUT VOTAGE	DC20V	DC20V	DC20V	DC20V	DC20V	DC20V
POWER	14W	18W	22W	26W	36W	42W
LED QUANTITY	60PCS	90PCS	120PCS	180PCS	180PCS	270PCS
LIGHT SIZE	10.8"	16.7"	22.6"	28.5"	34.4"	46.2"
APPLICATION	11"-19"	19"-25"	"25"-31"	31"-37"	37"-43"	43"-55"
POWER CORD	4.9ft+2.3ft	4.9ft+2.3ft	4.9ft+2.3ft	4.9ft+2.3ft	5.9ft+2.3ft	5.9ft+2.3ft
NUMBER OF BRACKETS	1	1	2	2	2	2
SHAPE						



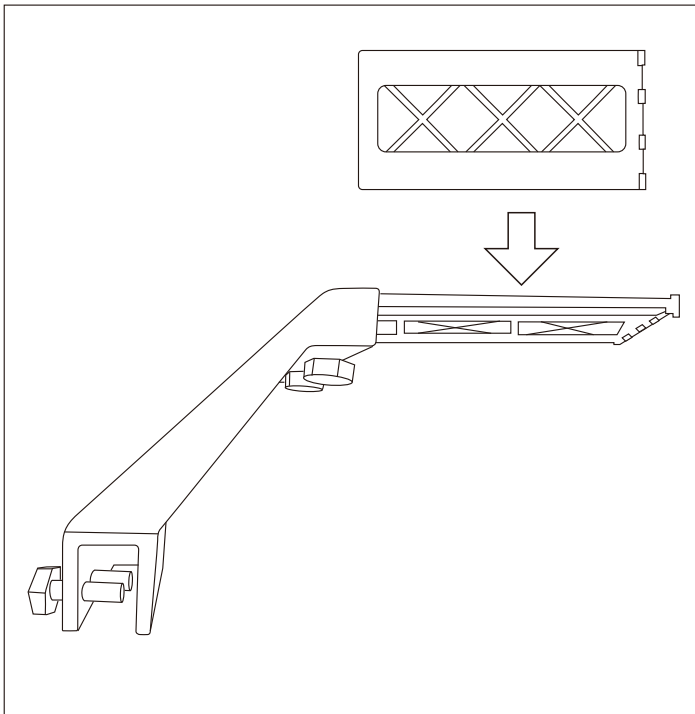
3. INSTRUCTIONS

①. INSTALLATION

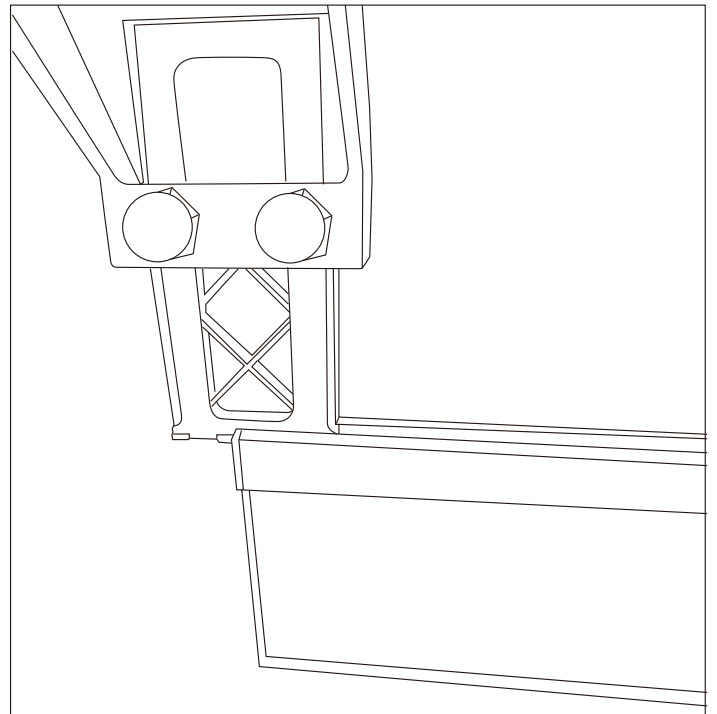
Open the box and check all the items, which include:

- 1 x Led light
- 1 x AC/DC power adapter

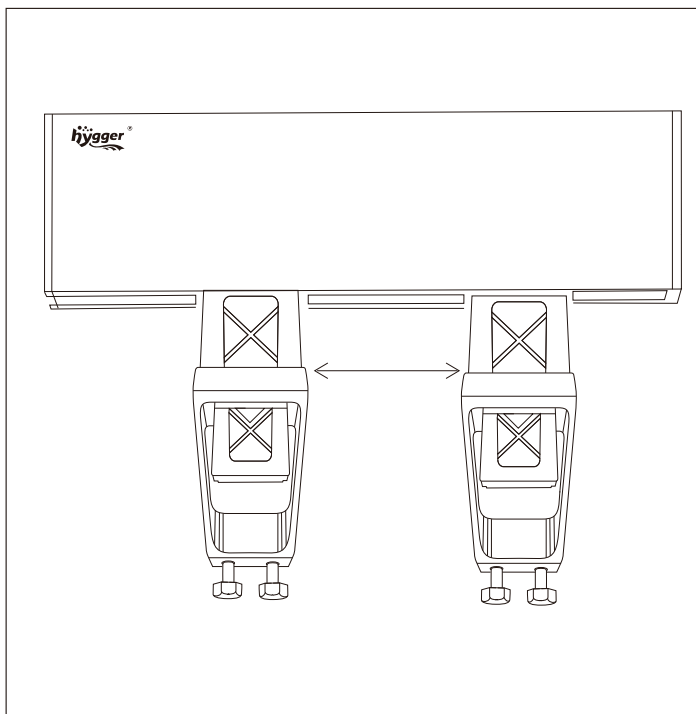
- 2 x Clips (Attention: HG018-14W/18W has only one clip)
- 2 x Extendable rod (Attention: HG018-14W/18W has only one rod)
- 1 x User manual



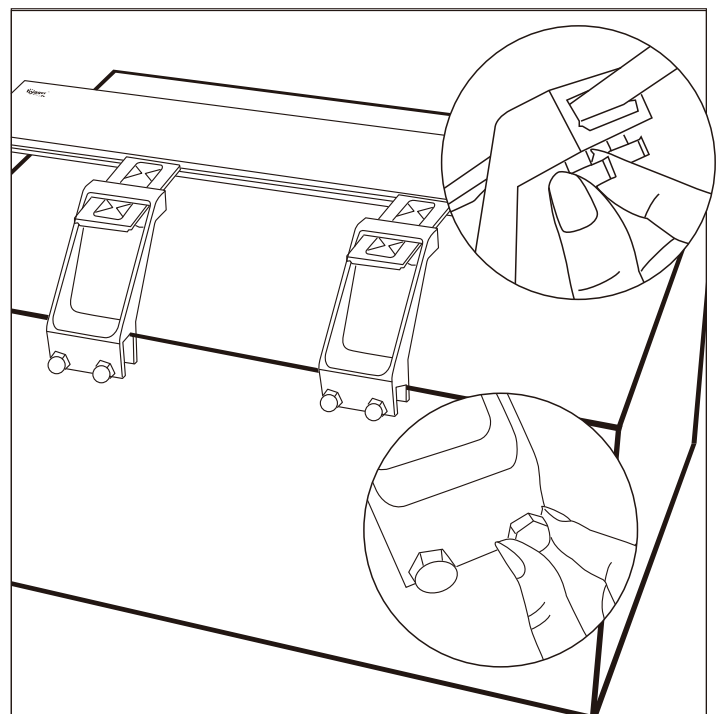
1. Put the extendable rods into the clips ;



2. Slide on the side of the light panel from the left side of the light ;

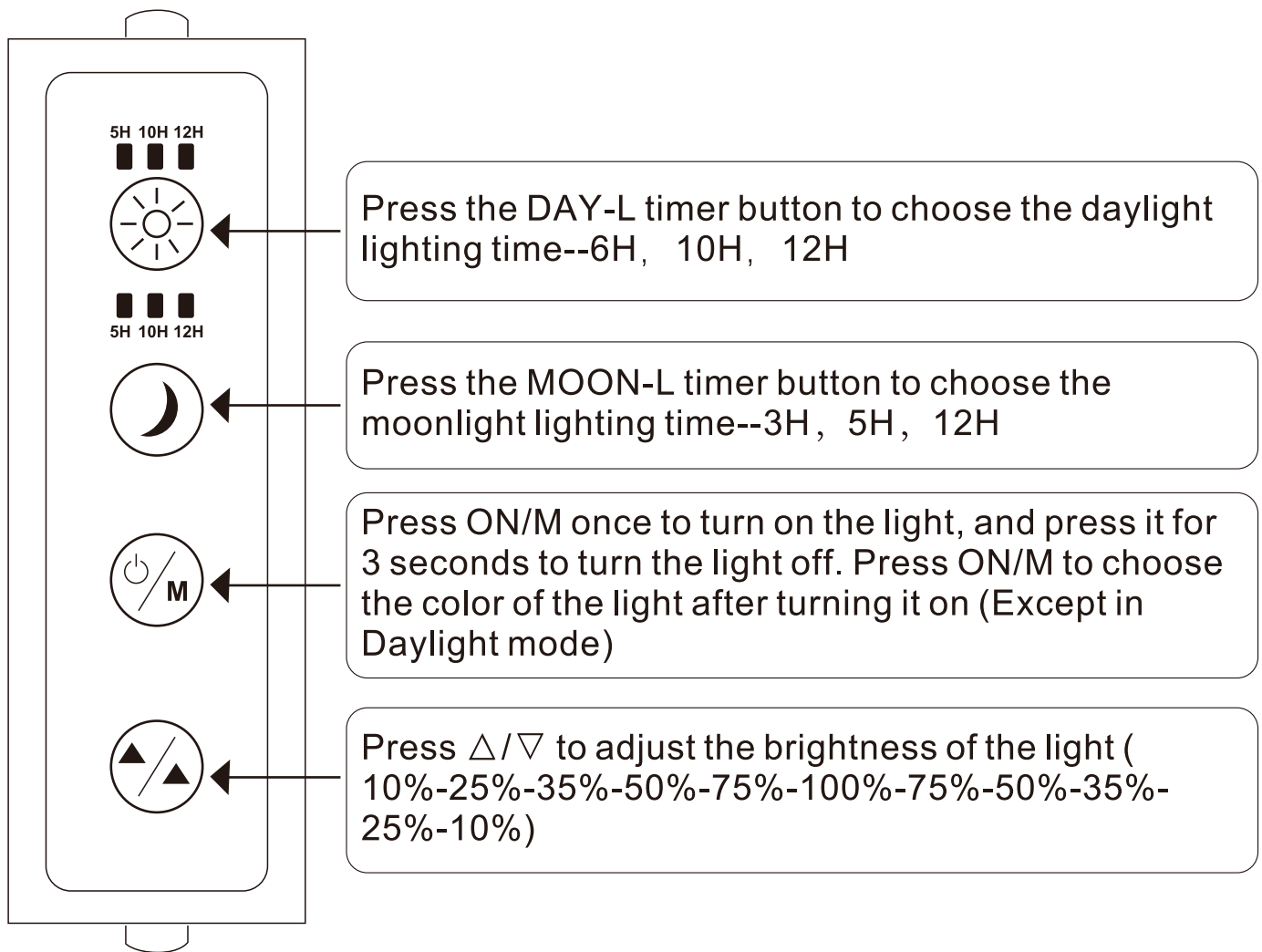


3. Adjust the extension length so make the rods at the same line ;



4. Put the light on the tank and tighten four screws.

②. CONTROLLER DIAGRAM



③. Operation instructions

You have four modes to choose from:

1. Only set daylight lighting
2. Only set moonlight lighting
3. Set both daylight and moonlight lighting
4. Manually mode

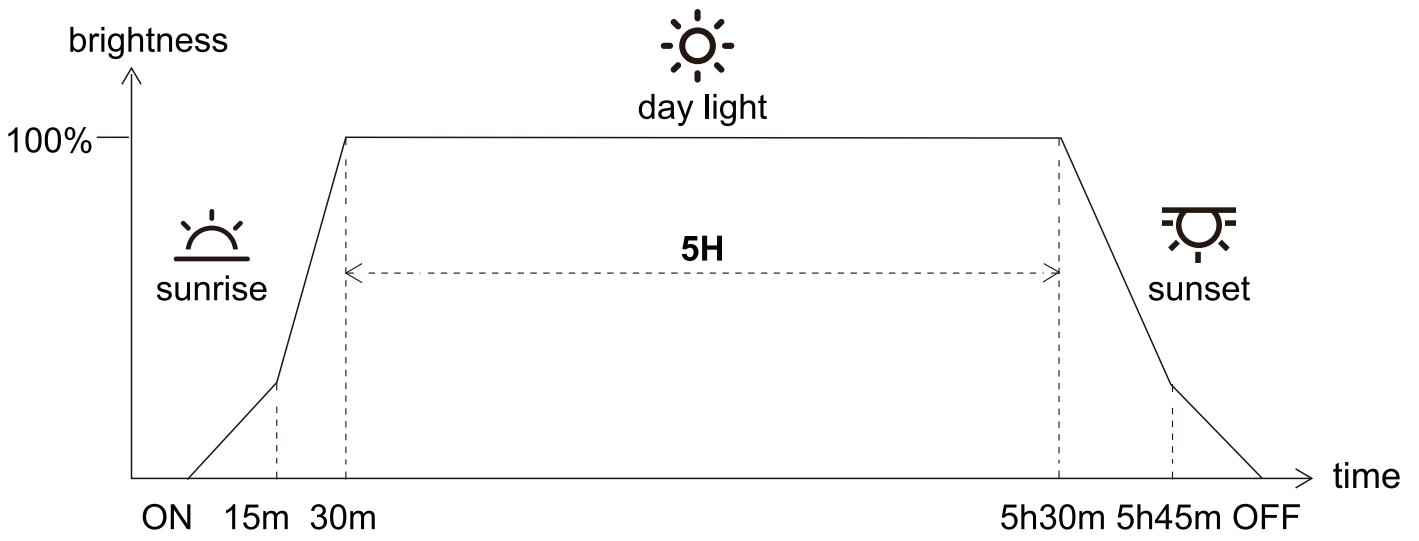
1. Daylight lighting settings

(1) Press  button to choose the daylight lighting time--6H, 10H, 12H.

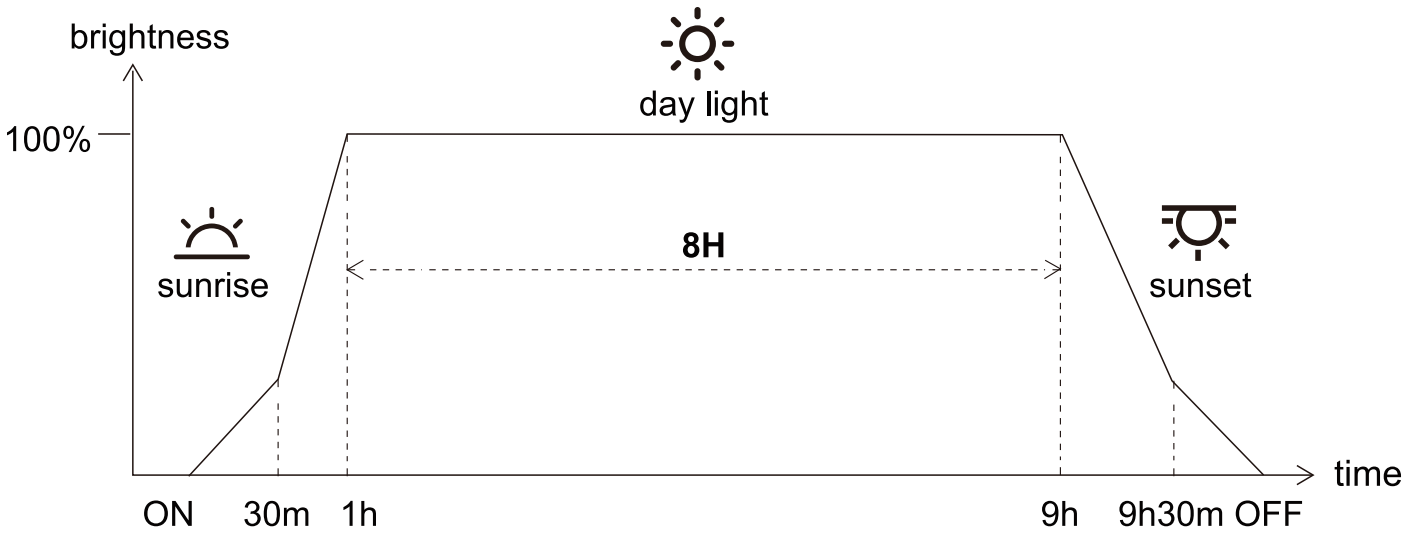
(2) After setting the time to turn on the light, the light will simulate the sunrise (Orange light from dark to bright), day light (Full spectrum white light) and sunset (Orange light from bright to dark).

*Attention: The brightness and the color cannot be set under daylight lighting mode.

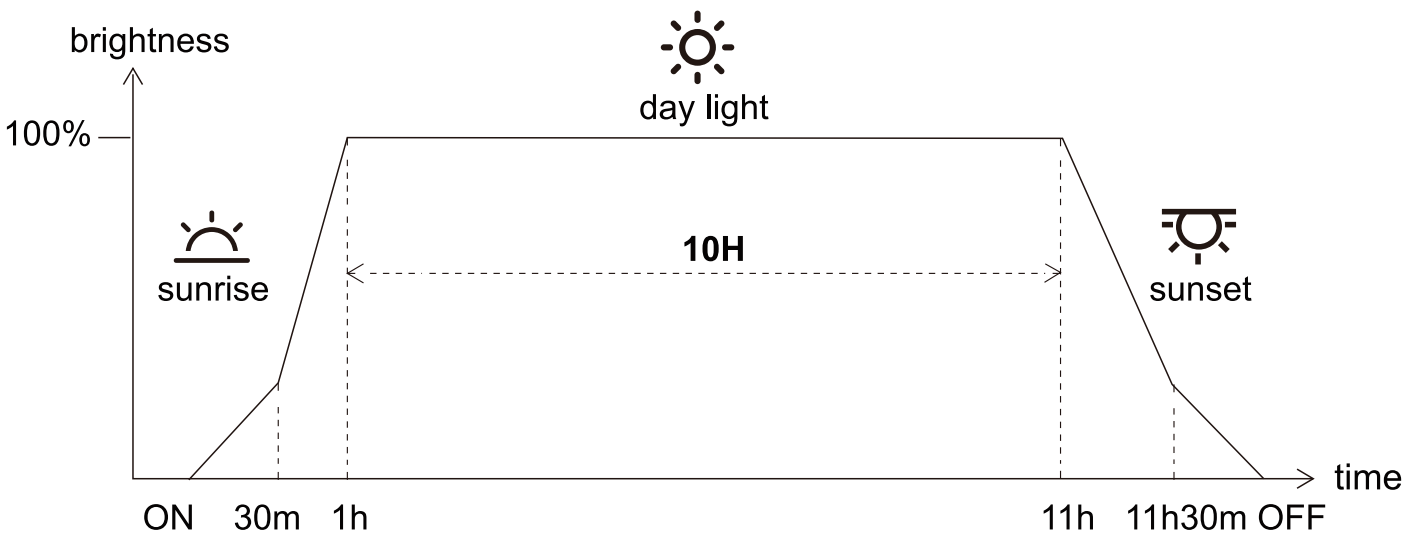
(3) In the next day, the light will start running at the same local time when the DAY-L timer button was pressed on the first day. And in each subsequent day, the light will start running at the time set on the first day.



The lighting graph when the DAY-L timer is set to **6H**





The lighting graph when the DAY-L timer is set to **10H**





The lighting graph when the DAY-L timer is set to **12H**

2. Moonlight lighting settings

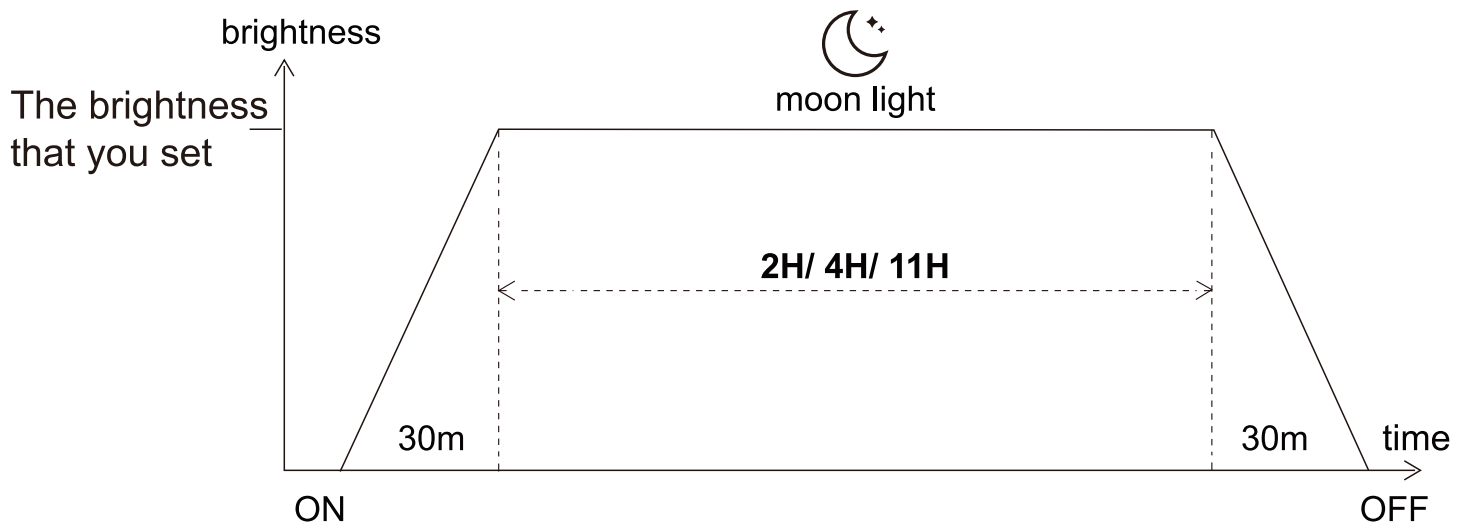
(1) Press  button for more than 3 seconds, the indicators of the 3H, 5H and 12H will be on at the same time. and then press  to choose the color of the moonlight lighting. You can choose from 7 colors: red, orange, yellow, green, cyan, blue and purple.

(2) Press  to choose the brightness of the moonlight lighting (10%-25%-35%-50%-75%-100%-75%-50%-35%-25%-10%).

(3) Press  button to finish moonlight lighting set.

(4) Press the  button again to choose the moonlight lighting time--3H, 5H, 12H, the indicator of 3H/5H/12H starting flashing means the light is working.

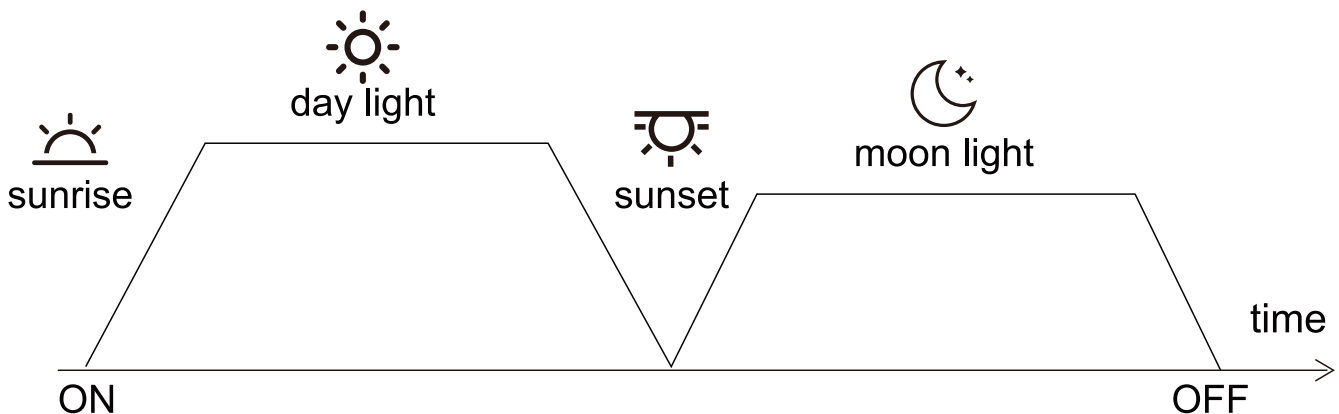
Attention: The brightness will change according to the coordinate in the graph. It will gradually change from dark to bright, maintaining the brightness that you set for 2H/4H/11H, and darkens gradually.



The lighting graph of moonlight lighting

3. Daylight lighting + Moonlight lighting settings

If you set both Daylight lighting and Moonlight lighting, the light will operate as the DAY-L timer setting when the DAY-L timer is on, and start MOON-L lighting when the DAY-L time is over.



The lighting graph of all-day lighting

4. Manual control

If you change the brightness and the color manually, the DAY-L/MOON-L timer will stop working and switch to manual control mode.

(1) Turn on/off: Press ON/M once to turn on the light, and press for 3 seconds to turn it off.

(2) Select the lighting color: Press ON/M to choose the color of the light after turning it on. There are 9 colors that can be selected: red, orange, yellow, green, cyan, blue, purple, gradient cycle and full spectrum.

(3) Brightness adjustment: Press Δ/∇ to adjust the brightness of the light (10%-25%-35%-50%-75%-100%).

(4) The manual control mode can only work for a day.

4. Attentions

- Please read this manual carefully before using and follow it strictly.
- IP68 waterproof design is only available for the bulb but not for the control part of the light.
- Use a matching power adapter.
- Please keep the switch away from water since it is not waterproof.
- Please keep the light away from flammable items to avoid accidents.
- Unplug the light and contact the seller if the light doesn't work. There is no warranty if you open it by yourself.
- Please unplug the power before maintenance.
- Please mind that the temperature range for the light is 23-113 °F.

5. Warnings

To avoid possible electric shock, do not immerse the switch in the water. If the switch falls into the water, or otherwise becomes wet, do not touch it until you have unplugged it. Basic safety precautions should be observed including the followings:

1. Read and follow this user manual strictly.

2. DANGER- To avoid possible electric shock, special care should be taken. For each of the following situations, do not attempt to repair yourself. Instead, return the light to an authorized service facility or discard the light.

A. Carefully examine the light after installation. It should not be plugged in if there is water on parts not intended to be wet.

B. Do not operate the light if it has a damaged cord or plug, if it is malfunctioning, or if it is dropped or damaged in any manner. The power cord of this light cannot be replaced. If the cord is damaged, the light should be discarded.

C. To avoid the possibility of the light plug getting wet, position aquarium stand and tank to one side of a wall mounted outlet to prevent water from dripping onto the outlet or plug. A "drip loop", shown in the figure below, should be arranged by the user for each cord connecting the light to the outlet. If an extension cord is used, the "drip loop" is the part of the cord below the level of the outlet or the

connector that prevents water traveling along the cord and coming in contact with the outlet. If the plug or outlet does get wet, DO NOT unplug the cord. Disconnect the fuse to the circuit breaker that supplies power to the heater. Then unplug and examine for the presence of water in the outlet.

3. Close supervision is necessary when the light is used near children.

4. To avoid injury, do not contact moving parts or hot parts.

5. Make sure the light is securely installed before operating it.

6. Read and observe all the important notices on the light.

7. If an extension cord is necessary, a cord with a proper rating should be used, such as rated amperes or watts. A cord rated for less amperes or watts than the heater rating may overheat. Care should be taken to arrange the cord so that it will not be tripped over or pulled.

8. The light is intended FOR HOUSEHOLD USE ONLY.

9. SAVE THIS USER MANUAL.

6. Disposal

Do not dispose this product as unsorted municipal waste. This product must not be disposed together with the domestic waste and it has to be disposed at an authorized place for recycling of electrical and electronic appliances. By collecting and recycling waste, you help save natural resources. Make sure the product is disposed in an environmental friendly and healthy way.



7. Contact Information

E-mail: service@hygger-online.com

Website: www.hygger-online.com