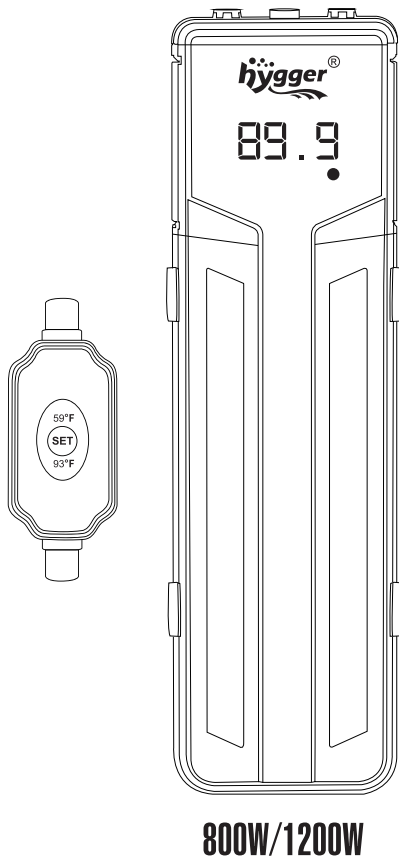
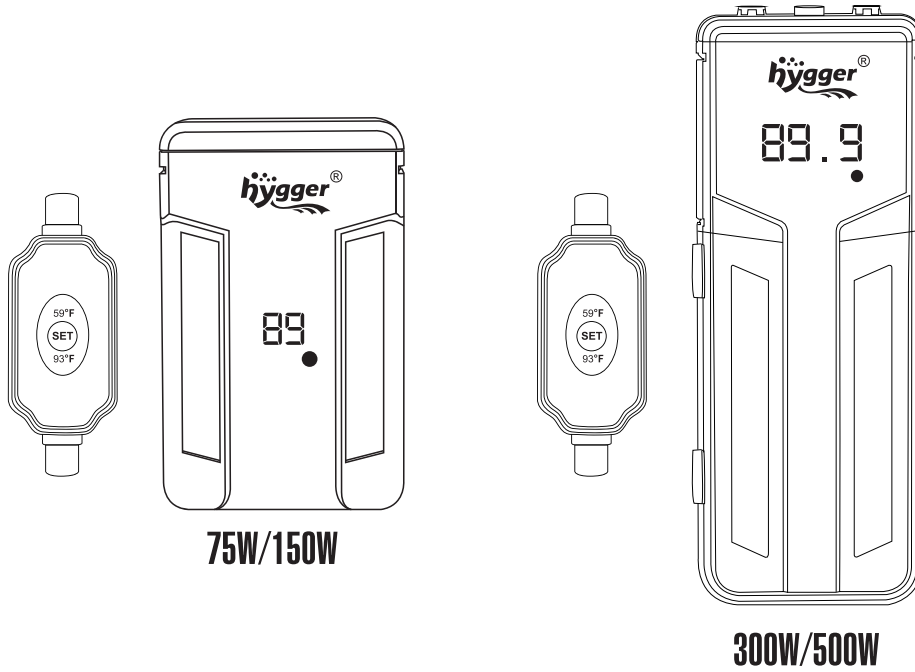




HG019 USER MANUAL

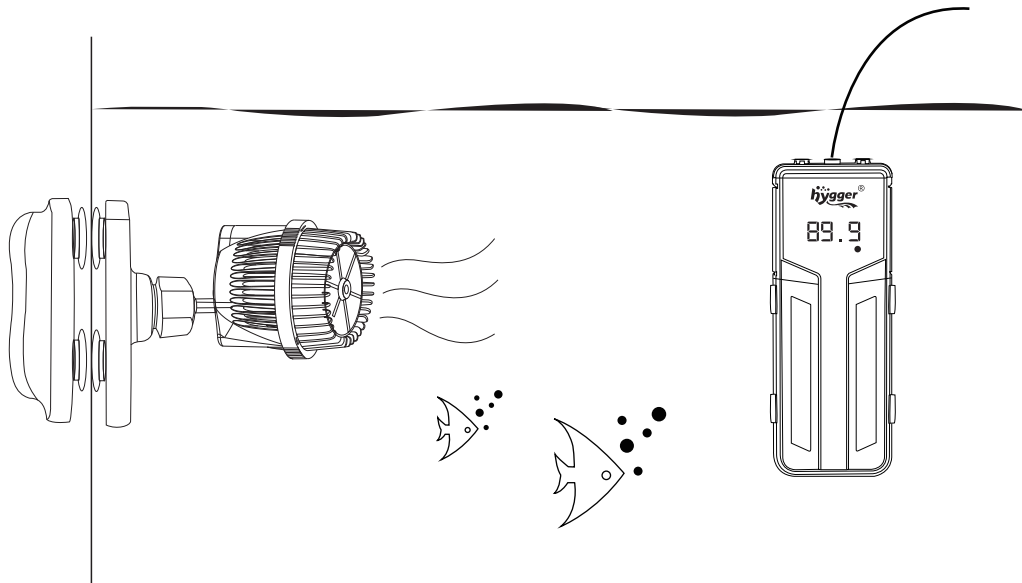
hygger double quartz explosion-proof heater



*****Reminder: The controller is not waterproof, please do not get it wet*****

Important reminder :

- 1) Place the hygger heater fully submersible when it's on. Unplug the heater and wait for 15 minutes before removing it or changing water.
- 2) Please make sure there is enough water flow and water circulation in your fish tank when using the heater.
- 3) Please do not bury the heating rod or use it near the sand.



1. PRODUCT FEATURES

Fully submersible: The heater is fully submersible. Please note, The heater should be fully submerged to work properly.

Rapid thermal accumulation: The heating rod is made of explosion-proof quartz glass material and a high-temperature resistant nickel-chromium heating wire with silicon carbide heat conduction; which result in faster water heating and a safer, more durable, long-lasting heater.

Build-in intelligent LED digital temperature display: LED digital display screen shows the current and preset water temperature. The external hand controller makes for easy setting and operation. Every press changes the set temperature by 1°F (

1 or 0.5 °C). The led flashes 3 seconds and then stops, indicating that the temperature has been set and the display shows the current temperature.

Precise temperature control, variable frequency and energy-saving: Indicator light turns red and starts heating when the current water temperature is 1°F (1 °C) lower than the set temperature. It turns to a steady green when the water temperature reaches the set temperature and is heated at 10% to 30% power to achieve an energy-saving effect.

The heater rod temperature ranges from 59°F (15 °C) to a max of 93°F (34 °C) in order to prevent harm to livestock.

Auto power off, warning signal and memory function: When the heating rod is out of the water, the heater will shut off automatically and emit a warning signal. When the heating rod is completely immersed in the water, it will start working again. If the power is shut off, the heater will keep the temperature settings until it powers on again.

High-temperature resistant safety cover: High quality and high temperature resistant plastic cover prevents fish from being harmed.

Suitable for freshwater and saltwater.

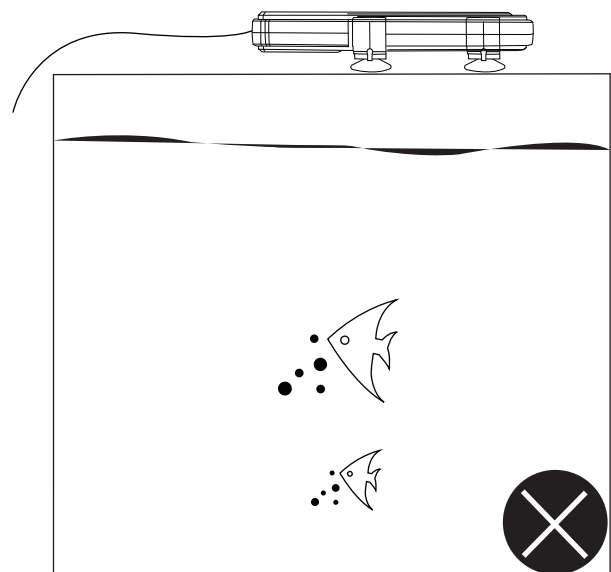
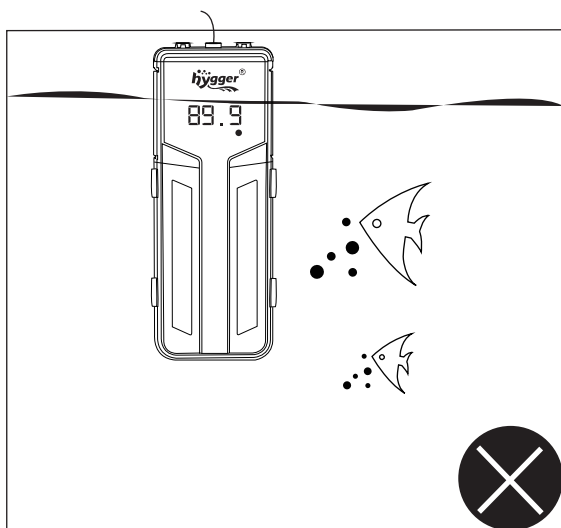
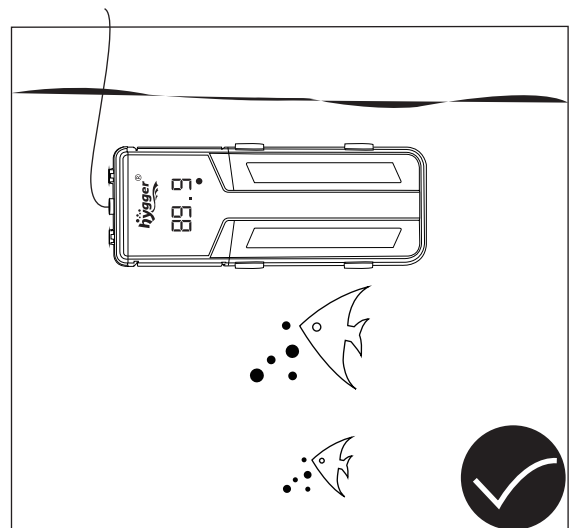
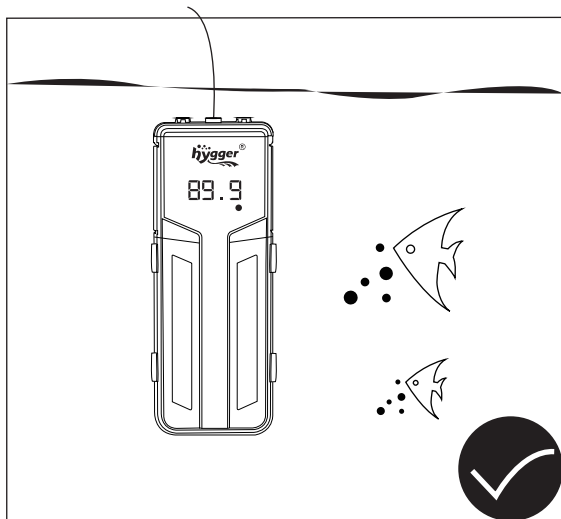
2.PRODUCT PARAMETERS:

| | | | | |
|----------------------|-----------------------------|-----------------------|--------------------------------|-------------------------|
| Model No: | HG019 | | | |
| Power | 75W | 150W | 300W | 500W |
| Volt./Freq: | US standard: AC 110-120V/Hz | | UK/EU standard: AC 220-240V/Hz | |
| Cord Length | 3.2ft+4.9ft(1m+1.5m) | | | |
| Application | 5~15 Gal (25-60L) | 10~30Gal (37-115L) | 40~80Gal (150~300L) | 80~105Gal (300-400L) |
| Temp Accuracy | ±1°F(±1°C) | | ±0.1°F (±0.1°C) | |
| Control Range | 59-93°F(15-34°C) | | | |
| Heater Rod Dimension | 2.8*1*4.2"(7*2.5*10.7CM) | | 3.4*1.2*9"(8.6*3*22.9CM) | |

| | | |
|----------------------|--|--------------------------|
| Model No: | HG019 | |
| Power | 800W | 1200W |
| Volt./Freq: | US standard: AC 110-120V/Hz UK/EU standard: AC 220-240V/Hz | |
| Cord Length | 3.2ft+4.9ft(1m+1.5m) | |
| Application | 80~132Gal (302-500L) | 160~237Gal (600-900L) |
| Temp Accuracy | ±0.1°F (±0.1°C) | |
| Control Range | 59-93°F(15-34°C) | |
| Heater Rod Dimension | 3.4*1.2*11.4"(8.6*3*29CM) | |

3.APPLICATION

A)Place the heater as shown in the following diagram:



B)Error codes display as followings:

Er: out of water alarm

95: number flashes, red and green light flash together means over temperature alarm

H1: Temperature sensor open circuit or short circuit fault

E3: Fault in protective relay

4.WARNING: To guard against injury, basic safety precautions should be observed including the followings:

1.Read and follow this user manual strictly.

2.DANGER- To avoid possible electric shock, special care should be taken. For each of the following situations, do not attempt to repair yourself. Instead, return the heater to an authorized service facility for maintenance or discard it.

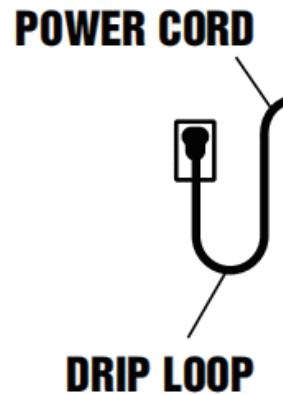
A.If the heater shows any sign of abnormal operation, unplug the power and remove the heater from water after 15 minutes.

B.Carefully examine the heater after installation. It should not be plugged in if there is water on parts that not intended to be wet.

C.Do not operate the heater if it has a damaged cord or plug, is malfunctioning, dropped or damaged in any manner. The power cord of this heater cannot be replaced. If the cord is damaged, the heater should be discarded.

D.To avoid the possibility of the heater plug getting wet, position the aquarium and its stand to one side of a wall mounted outlet to prevent water from dripping onto the outlet or plug. A “drip loop”, shown in the figure below, should be arranged by the user for each cord, which connects the heater to the outlet. If an extension cord is used, the “drip loop” is the part of the cord below the level of the outlet or the connector that prevents water traveling along the cord and coming in contact with the outlet. If the plug or outlet does get wet, DO NOT unplug the cord.

Disconnect the fuse to the circuit breaker that supplies power to the heater. Then unplug and examine for the presence of water in the outlet.



3. Close supervision is necessary when the heater is used near children. Daily supervision is necessary when the heater is being used.

4. This heater is not allowed to be used by persons (including children) with reduced physical, sensory or mental capabilities, or lack of experience and knowledge unless they have been given supervision or instruction concerning the use of the heater by a person responsible for their safety.

5. To avoid injury, do not contact moving parts or hot parts.

6. Always unplug the heater from the outlet when it is not in use, before putting on or taking off parts, maintenance, or placing hands in the water. Never yank the cord to pull plug from outlet. Grasp the plug and pull gently to disconnect.

7. Do not use the heater for other than intended use. The use of attachments not recommended or sold by the appliance manufacturer may cause an unsafe condition and will void the warranty.

8. Do not install or store the heater where it will be exposed to the weather or to temperatures below freezing.

9. Only use in freshwater or saltwater aquariums; do not use the

heater in other liquids.

10. Make sure the heater is securely installed before operating it.

11. Read and observe all the important notices on the heater.

12. If an extension cord is necessary, a cord with a proper rating should be used, such as rated amperes or watts. A cord rated for less amperes or watts than the heater rating may overheat. Care should be taken to arrange the cord so that it will not be tripped over or pulled.

13. The heater is intended FOR HOUSEHOLD USE ONLY.

14. SAVE THIS USER MANUAL.

5. ATTENTIONS:

✓ Please check all the items to inspect condition when unboxing the package.

✓ Please read the instructions carefully. Use and follow the instructions strictly.

✓ Please choose a heater rated for your aquarium.

✓ Please place the heating rod in water flow and don't bury it in substrate.

✓ Please place the heating rod fully submerged in water when it's on duty. Unplug the heater and wait for 15 minutes before removing it and change water.

✓ Please keep in mind that the heater can be turned off automatically when exposed to air, but it is a last resort and should be avoided.

✓ After using of the heater, calcium carbonate contained in algae or moss may clump and adhere to the heating rod.

If dirt adheres to the heating rod, use a sponge or cloth and water to wipe it. Do not use alcohol or other chemicals as this may damage the heater and harm fish or livestock.

When used for a prolonged period with dirt adhered to the heating element, be aware that it may cause failure due to the inability to control the temperature correctly.

6.DISPOSAL

Do not dispose this product as unsorted municipal waste. Collection of such waste separately for special treatment is necessary. This product has to be disposed at an authorized place for the recycling of electrical and electronic appliances rather than being disposed together with the domestic waste. Collecting and recycling waste is a way of saving natural resources. So, please consult with your local seller to make sure the product is disposed in an environmentally friendly way.

7.PACKAGE INCLUDED

1×double quartz explosion-proof heater
1x 2pcs suction cup(for 75W/150W only)
2sets x suction cup holder(for 300/500/800/1200W only)
1× user manual

8.CONTACT INFORMATION

E-mail: service@hygger-online.com

Website: www.hygger-online.com