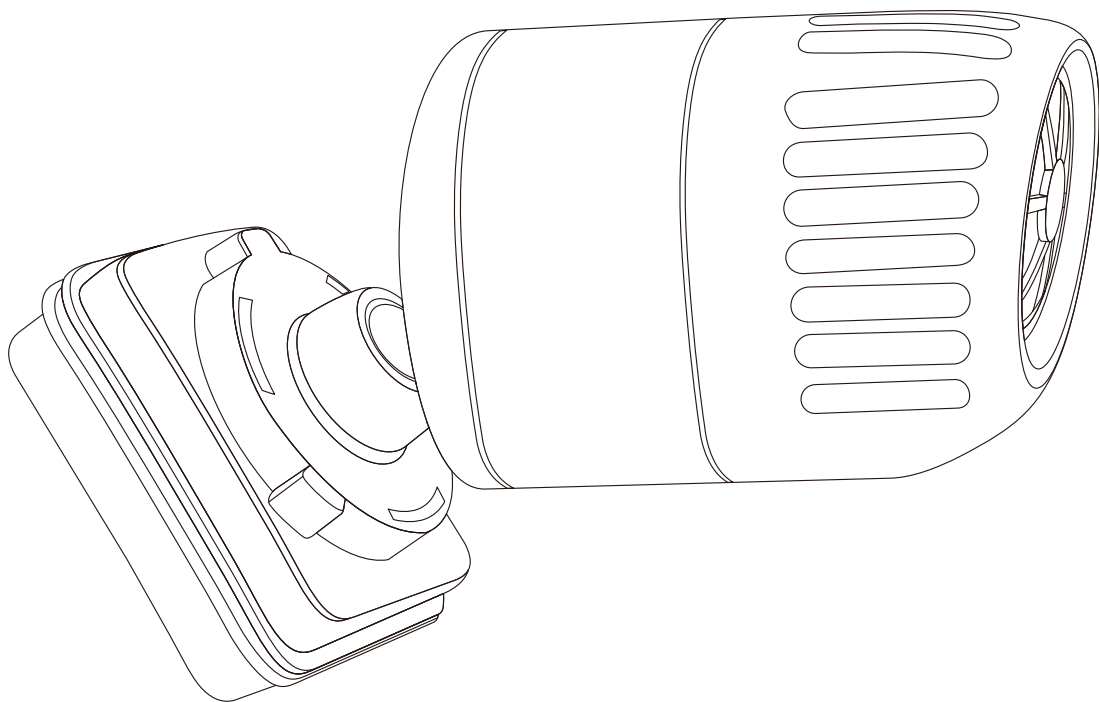




HG021 USER MANUAL

hygger aquarium wave maker



WARNINGS:

- 1.To ensure performance, do not let the pump run dry.
- 2.Be careful when assemble the magnet base. Move the magnet base parallely to the outside wall of the fish tank to prevent it from breaking.
- 3.Do not immerse the plug into water or other liquid.
- 4.Do not leave the product in freezing conditions.
- 5.Do not allow children or inexperienced people to operate or play the product alone without safety supervision.

1. Introduction:

The wave-making pump can make the water flow in the tank form large current and circulation. It is beneficial to the stabilization of water quality, the increase of dissolved oxygen in the water and the growth of fish.

2.Product Features:

- 360° rotation to adjust the direction of the water flow
- High performance pump motor, low noise
- Wear-resistant ceramic shaft, suitable for fresh and salt water
- Great power and sufficient flow
- Simple and classic appearance

3.Product Parameters:

Item No.	HG021-3W
Voltage	AC110-120V/60Hz AC220-240V/50Hz
Cord Length	5.9FT (1.8M)
Dimension	2.6x2.16x4.7" (6.5x5.5x12cm)
Application Tank Thickness	4-10mm
Application Tank	5-20Gal
Q.Max	530GPH(2000L)

Item No.	HG021-6W
Voltage	AC110-120V/60Hz AC220-240V/50Hz
Cord Length	5.9FT (1.8M)
Dimension	2.6x2.16x5.7" (6.5x5.5x14.5cm)
Application Tank Thickness	4-10mm
Application Tank	20-105Gal
Q.Max	1056GPH(4000L)

4. Installation Instructions:

- A) Remove the rear magnet base from the bottom of the pump.
- Place the pump at the center of the inner tank wall and hold it with one hand.
 - Shift the rear magnet base along the outside wall to the same position with the other hand to fix the pump. (Fig. 1)

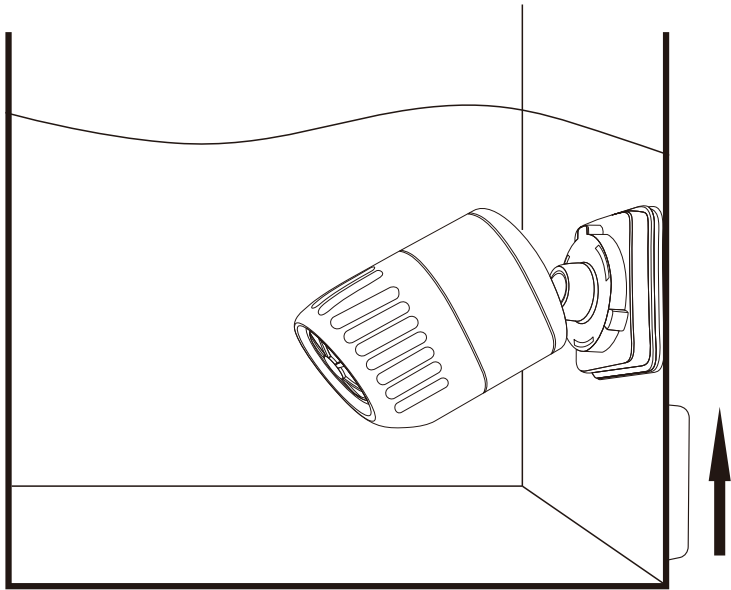



Fig.1

Caution:  Be careful of fingers being clamped due to strong magnetism.

- B) Plug in the power supply, the pump will start working.
 C) To stop the wave maker, simply plug it out.

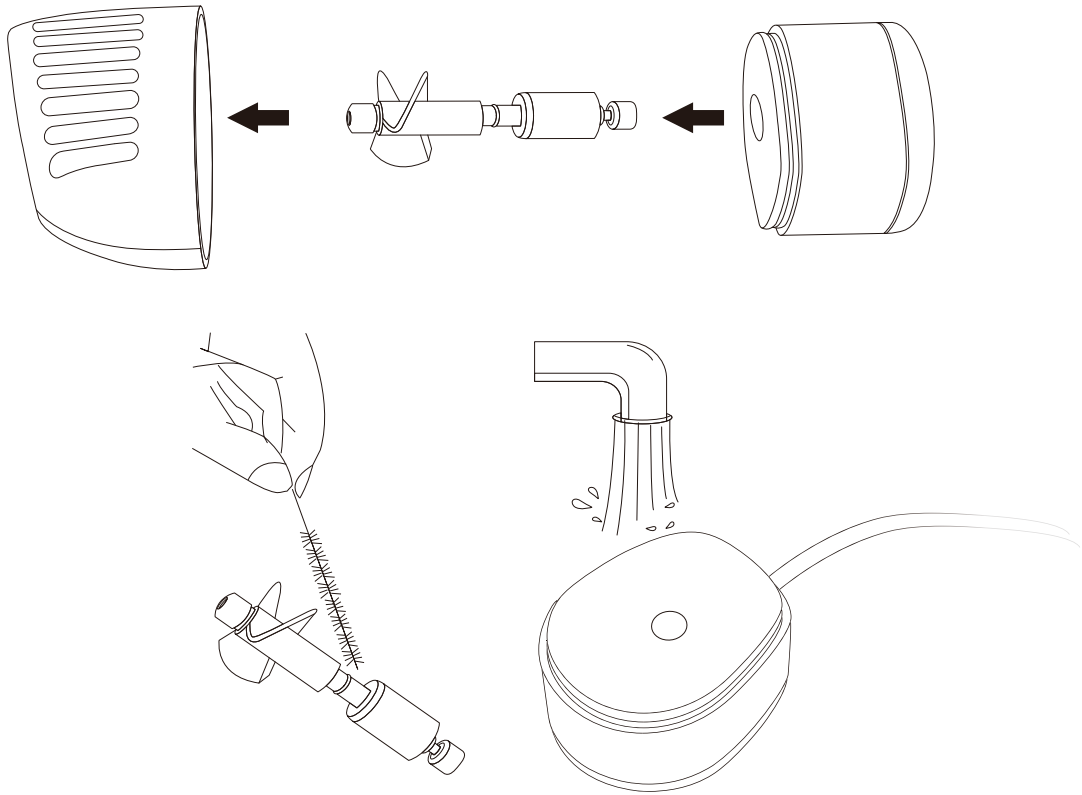
5. Maintenance:

- 1.) Clean the pump regularly to ensure performance.



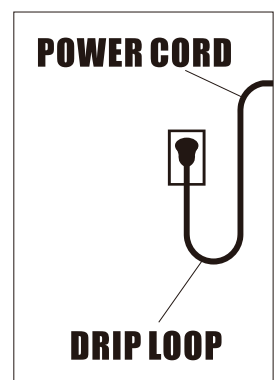
Hold the pump tightly with your hands and break it apart.

2.) Take out the motor and impeller, use some soft cloth or a brush to clean the impeller the pump with clear water.



- **Clean the wave maker at least once a month. More frequent cleaning might be needed depending on the water condition.**

3.) The power cord of the pump must be below the power socket to form a drip loop to prevent water from flowing into the power socket along the power cord.



6.Important Safety Cautions:

- A) Make sure you are using a correct power supply.
- B) The power cord is not replaceable, if the power cord or the plug is found hurt, damaged or aged, stop using the product immediately.
- C) Do not attempt to shorten, lengthen or remove the plug. Failing to meet this point may cause serious safety problem.
- D) There is abnormal smell or noise coming from the product, unplug it immediately and find the cause.
- E) Make sure your hands and the plug are dry when plugging in or unplugging the product. It is forbidden to plug or unplug the product with wet hands as it might cause electric shock.

7.Disposal:

Please don't dispose this product as unsorted municipal waste. Collection of such waste separately for special treatment is

necessary. Not put it together with the domestic waste which should be solved as an authorized place for recycling of electrical and electronic appliances for collecting and recycling waste. Please consult with your local seller to make sure the product is disposed in an environmental friendly way.



8. Package Included:

1 × Wave maker

1 × User manual

9. Contact Information

E-mail: service@hygger-online.com

Website: www.hygger-online.com