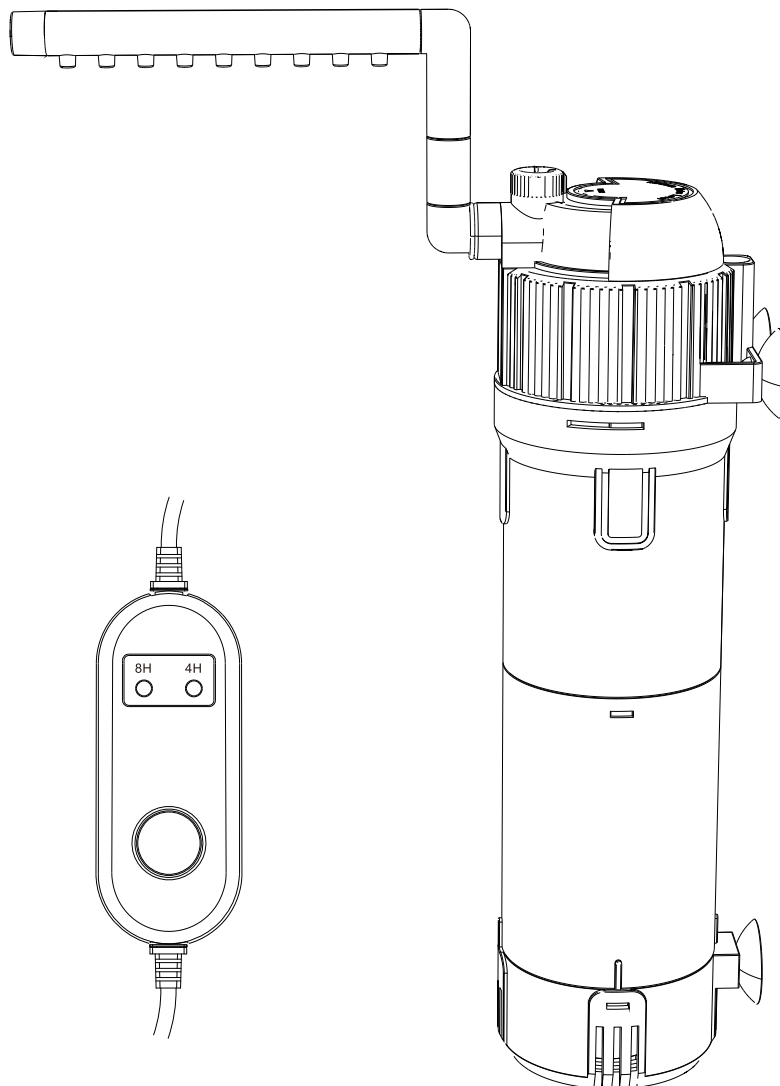




HG032 USER MANUAL

hygger aquarium internal filter with timer

This product has the functions of filtration, circulation, oxygenation, rain oxygenation and water purification.



⚠ Important cautions:

Filters with UV function cannot be looked directly during operation

1.PRODUCT FEATURE:

- Efficient oxygenation
- Activated carbon sponge better purifies water
- The humanized timer has a wider application range
- Only for freshwater use

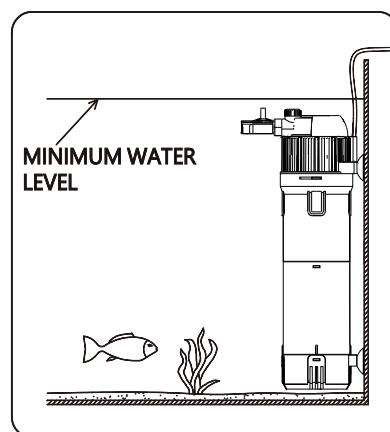
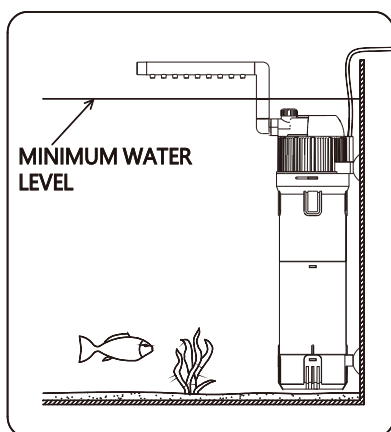
2.PRODUCT SPECIFICATIONS:

Model No:	HG032
Volt/Freq:	US standard: AC110-120V/60Hz EU/UK standard:AC 220-240V/50Hz
Product size:	Dia2.8"x11"
Water pump power:	6W
Hmax:	2.6Ft(0.8M)
Qmax:	211GPH(800L)
Light:	8W

3.INSTRUCTIONS:

1.Open the package and remove the filter. Check for damaged filters or damaged power cords. Do not use it if damaged.

2.Use suction cups to fix the filter to the proper position and angle of the aquarium or fish tank wall. The water level must reach the MINIMUM WATER LEVEL line for it to work properly.damaged filters or damaged power cords. Do not use it if damaged.



Reminder: Make sure the filter is positioned above the minimum water level.

3. Connect the power supply of the filter to the socket to make it work with electricity! Select functions such as rain oxygenation and oxygenation according to your needs. When the Oxygenation nozzle is configured, the oxygen-enhancing effect is better when the minimum water level line is less than 10CM (3.94inch) from the water surface.

4. The users who use filters with UV timing sterilization function, please adjust the working time of the germicidal lamp according to the actual use requirements. The working time of the germicidal lamp are: 4 hours per (the red light is on), 8 hours per day (the green light is on), 24 hours per day (the red and green light is on), and stop working (the red and green light is off). When the set time is reached, the indicator light will flash

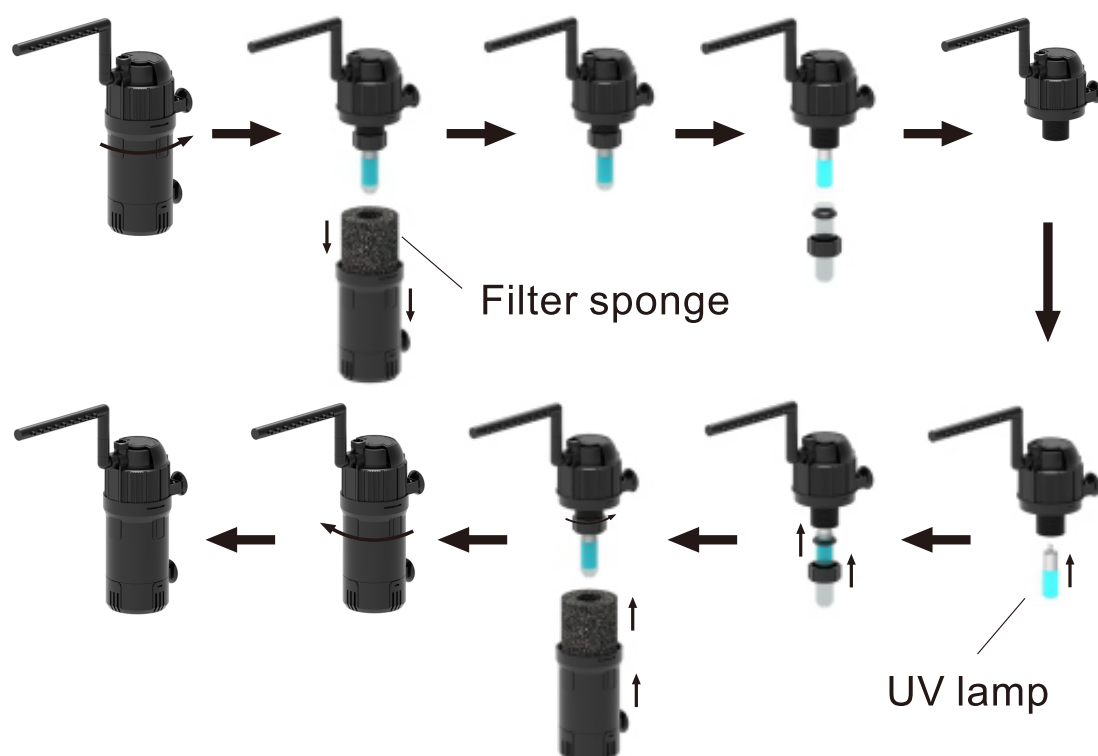
Precautions.

5. After the filter works for a period of time, due to the influence of impurities in the fish tank, the filter water pump will be blocked and the filter sponge will be blocked. Please replace the filter sponge and clean the filter water pump in time!

Attention please! The filter sponge is suggested to be replaced every 2 weeks to 1 month depending on the number of fish, filthiness, or the extent of degradation.

6. Filters with UV function cannot be looked directly during operation.

Installation Diagram



4.ATTENTIONS:

- 1.This product has the functions of filtration, circulation, oxygenation, rain oxygenation and water purification.
 - 2.If this product is used in conjunction with UV lamps, it also has the functions of sterilizing, removing green algae and restoring water clarity.
 - 3 .The power plug and UV time controller are not waterproof please keep it away from water and water vapor. It is strictly forbidden to touch with power plug with wet hands, and please turn off the power before cleaning.
 - 4.The working voltage must be compatible with the voltage specified for the filter.
 - 5.The filter must be fully submersible for use. When using a filter with UV sterilization function, when cleaning and replacing the UV lamp, please pay attention to protect your eyes and not directly look at it. And cleaning and replacement should be carried out in the case of power failure or wearing protective glasses.
 - 6.When this product does not work properly, it should be repaired by a professional.
- The filter sponge inside the filter is recommended to be replaced every three months. This product is not a toy. It is recommended to replace the UV lamp tube every 6 months, and please replace the appropriate UV lamp tube and filter sponge according to the packaging instructions. In this way, it can play a better effect. Keep this product away from children.
7. Please mind that the operating temperature range for the filter is between 40°F ~95°F (4°C~35°C).

5.⚠️WARNING :

To avoid possible electric shock, do not immerse the switch in the water. If the switch falls into the water or becomes wet, do not touch it until you have unplugged it. Basic safety precautions that should be observed are as follows:

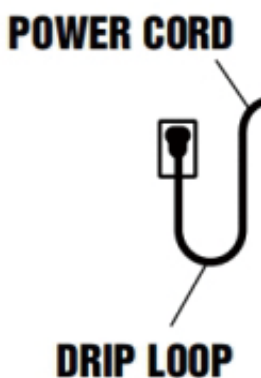
- 1.Read and follow this user manual strictly.
- 2.DANGER- To avoid possible electric shock, special care should be taken since water is employed in the use of aquarium equipment. For each of the following situations, do not attempt to repair yourself. Instead, return the filter to an authorized service facility for maintenance or discard it.

A.If the appliance falls into the water, DO NOT touch it. First unplug it, then retrieve it. If electrical components of the appliance get wet, unplug it immediately.

B.Carefully examine the filter after installation. It should not be plugged in if there is water on parts that are not intended to be wet.

C.Do not operate the filter if it has a damaged cord or plug, is malfunctioning, dropped, or damaged in any manner. The power cord of this filter cannot be replaced. If the cord is damaged, the filter should be discarded.

D.To avoid the possibility of the filter plug getting wet, position the aquarium and its stand to one side of a wall mounted outlet to prevent water from dripping onto the outlet or plug. A “drip loop”, shown in the figure below, should be arranged by the user for each cord, which connects the filter to the outlet. If an extension cord is used, the “drip loop” is the part of the cord below the level of the outlet or the connector that prevents water from traveling along the cord and coming in contact with the outlet. If the plug or outlet does get wet, DO NOT unplug the cord. Disconnect the fuse to the circuit breaker that supplies power to the filter. Then, unplug and examine for the presence of water in the outlet. If you are not sure, consult a certified electrician.



3.Close supervision is necessary when the filter is used near children.

4.This filter is not allowed to use by persons (including children) with reduced physical sensory or mental capabilities or lack of experience and knowledge unless they have been given supervision or instruction concerning the use of the filter by a person responsible for their safety.

5.To avoid injury, do not contact moving or hot parts.

6.Always unplug the filter from the outlet when not in use, before putting on or taking off parts, maintenance, or placing hands in the water. Never yank the cord to pull the plug from the outlet. Grasp the plug and pull to disconnect.

7. Do not use the filter for other than intended use. The use of attachments not recommended or sold by the appliance manufacturer may cause an unsafe condition and will void the warranty.

8. Do not install or store the filter where it will be exposed to extreme weather or temperatures below freezing.

9. Make sure the filter is securely installed before operating it.

10. Read and observe all the important notices on the filter.

11. If an extension cord is necessary, a cord with a proper rating should be used, such as rated amperes or watts. A cord rated for fewer amperes or watts than the filter rating may overheat. Care should be taken to arrange the cord so that it will not be tripped over or pulled.

12. The filter is intended FOR HOUSEHOLD USE ONLY.

13. SAVE THIS USER MANUAL.

6. DISPOSAL

Do not dispose of this product as unsorted municipal waste. Collection of such waste separately for special treatment is necessary. This product has to be disposed of at an authorized place for the recycling of electrical and electronic appliances rather than being disposed of together with the domestic waste. Collecting and recycling waste is a way of saving natural resources. So, please consult with your local seller to make sure the product is disposed of in an environmentally friendly way.

7. PACKING LIST

1x Filter with timer

1x Bag accessories

1x User manual

8. CONTACT INFORMATION

E-mail: service@hygger-online.com

Website: www.hygger-online.com