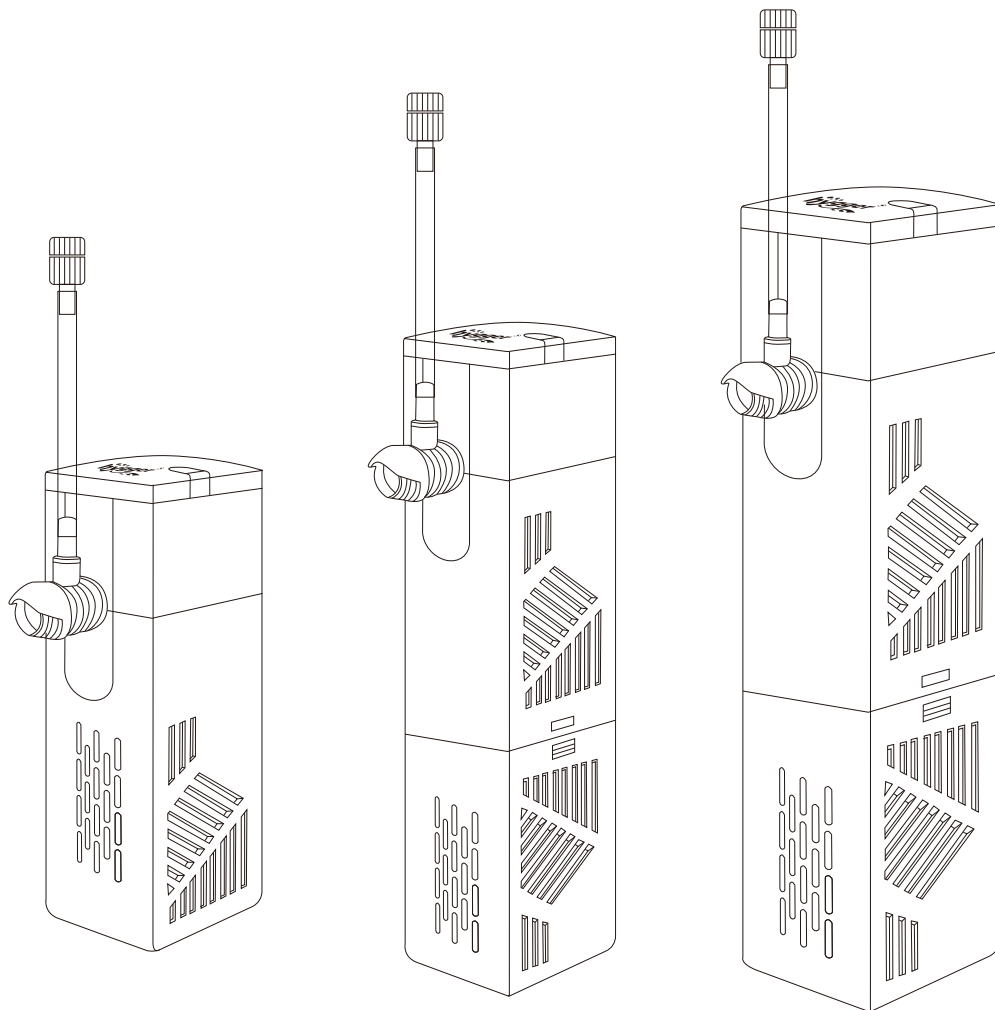




HG040 USER MANUAL

hygger 4 in1 aquarium internal power filter



S

M

L

1. PRODUCT FEATURES

① **4 in 1 Multi-functional:**

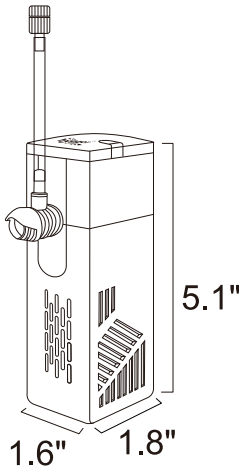
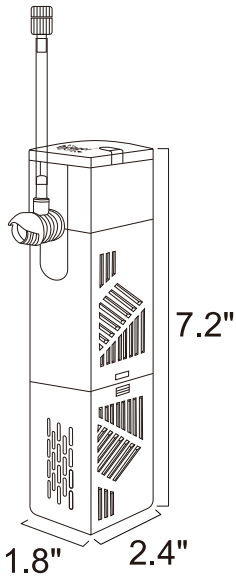
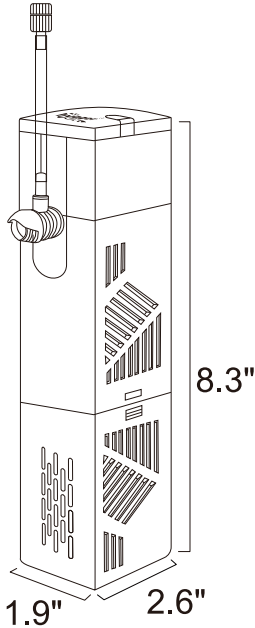
- Sponge filter provides efficient mechanical filtration; activated carbon sponge purifies water quality and improves the cleanliness of the water in the aquarium.
- Ceramic balls provide a large surface area for growth of beneficial bacteria, which can decompose harmful impurities and help maintain the ecological environment in the aquarium;
- Water outlet can be used for a wave maker.
- Air inlet increases the oxygen level in the water.

② **Classic Appearance Design:** With a special upper and lower drainage structure, the compact size can save space and be used even at low water levels. Customer-friendly disassembly and assembly design for easy use.

③ **Adjustable Flow Rate:** There are two options for draining and wave maker, which can adjust the flow rate more suitable for fish and turtles in the aquarium.

④ **Super Silent:** This filter is extremely quiet and durable. Stainless Steel motor impeller can be used for freshwater and saltwater.

PRODUCTS SPECIFICATION:

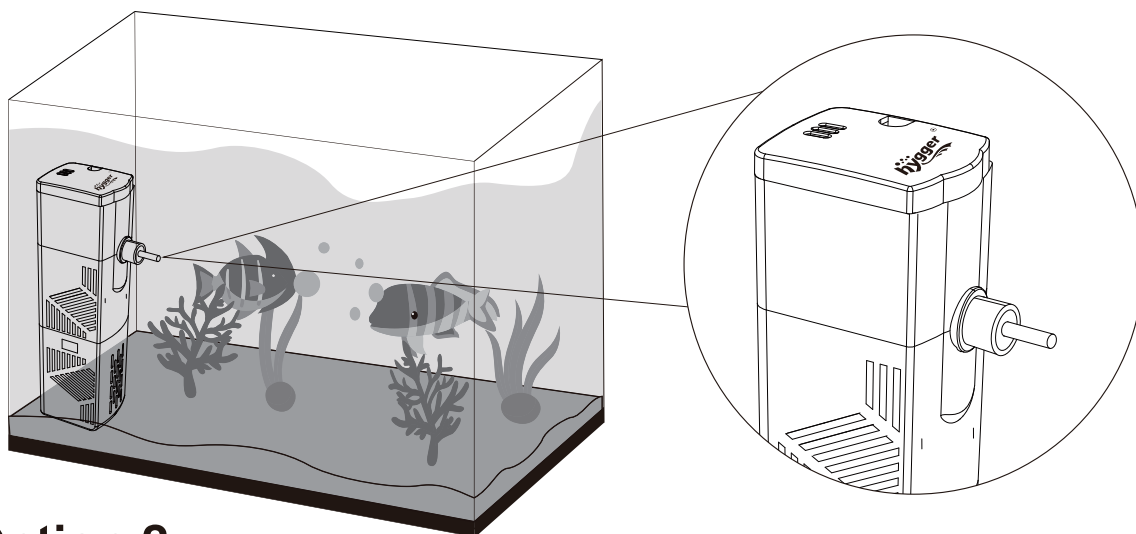
			
Size	1.8"x1.6"x5.1" (4.5X4X13cm)	2.4"x1.8"x7.2" (6X4.5X18.2cm)	2.6"x1.9"x8.3" (6.5x4.8x21.2cm)
Locality & Voltage	US standard : AC110-120V/60Hz EU/UK standard: AC220-240V/50Hz	US standard : AC110-120V/60Hz EU/UK standard: AC220-240V/50Hz	US standard : AC110-120V/60Hz EU/UK standard: AC220-240V/50Hz
Item No.	HG040-S	HG040-M	HG040-L
Power	3W	6W	10W
Flow	60GPH (220L/H)	120GPH (450L/H)	160GPH (600L/H)
H.max	1.6ft (0.5m)	2.6ft(0.8m)	3.9ft(1.2m)
Recommended aquarium size	2-8Gal (20-40L)	10-20Gal (40-80L)	15-30Gal (60-120L)

2. METHOD OF APPLICATION

The filter can be used in multiple options.

Option 1

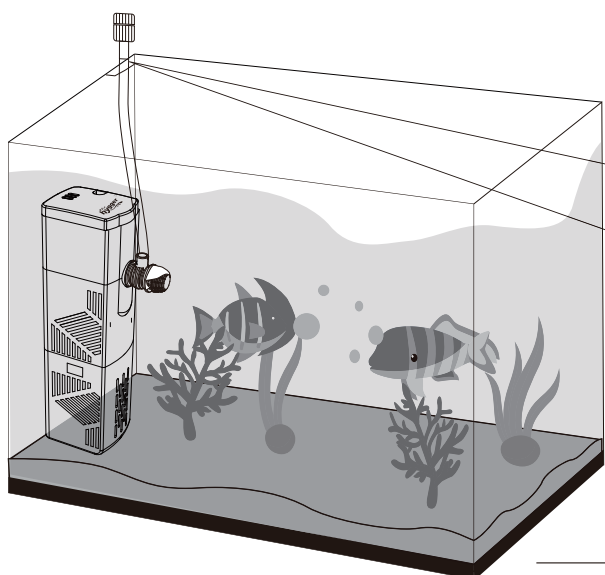
- 1) Connect the multi-directional outlet to the filter's water outlet.
- 2) Use the suction cups to secure the filter to the wall of the aquarium.
- 3) Make sure the filter is fully submerged in water.
- 4) Then connect the filter to the power supply.



Option 2

With this option, air will be delivered to the outlet, creating bubbles that will help to oxygenate the water for fish in the aquarium.

- 1) Install multi-directional outlet pipes on the filter.
- 2) Place the filter in the aquarium as in Option 1.
- 3) Make sure the airflow adjuster is not submerged in the water.
- 4) Connect the filter to the power supply.
- 5) Adjust the airflow rate by turning the air inlet adjuster.



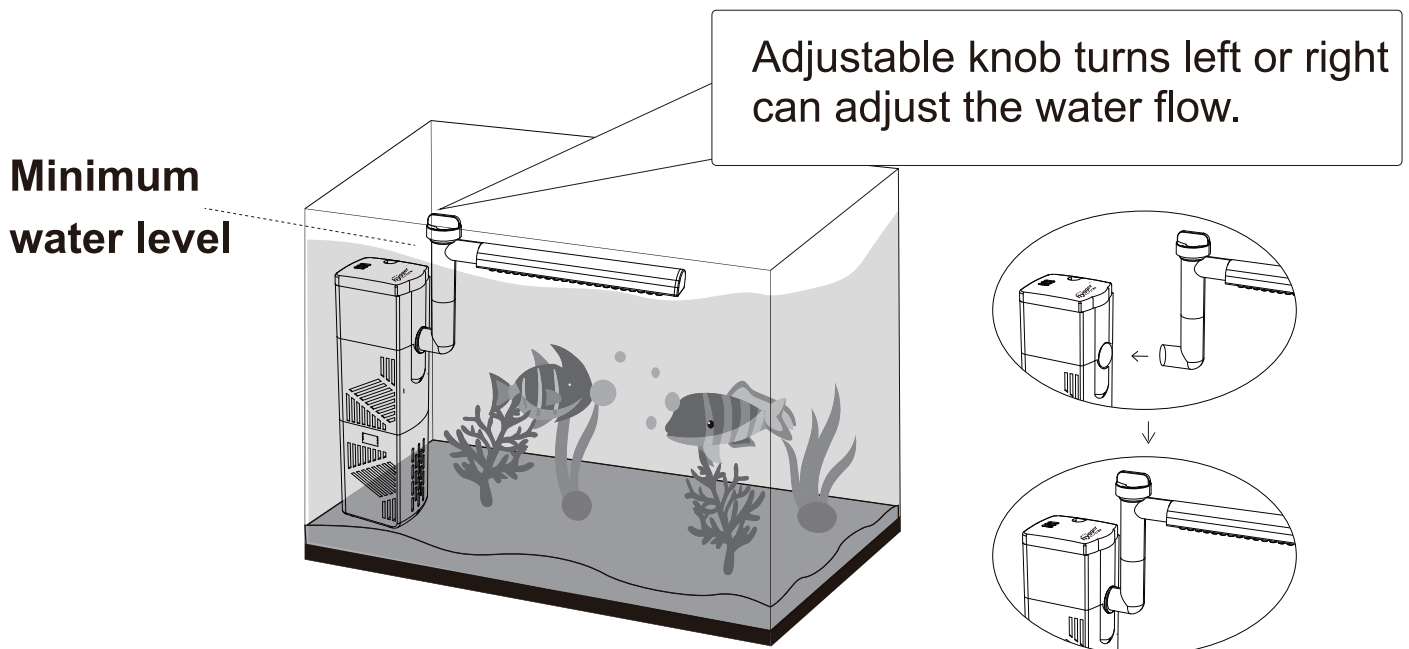
Air inlet adjuster with air tube
ONLY use for multi-directional adjustable water outlet. Turn the knob left or right to adjust the air flow rate

Option 3

When choosing this option, the spray bar will evenly spray water onto the surface of the water to help increase the oxygen in the water and stir the surface water in the aquarium.

- 1) Connect the spray bar to the outlet of the filter as shown in the diagram.
- 2) Place the filter in the aquarium according to the method in Option 1, ensuring that the spray bar is placed horizontally.

Reminder: Make sure the filter is placed above the minimum water level.



A) Filter media replacement method

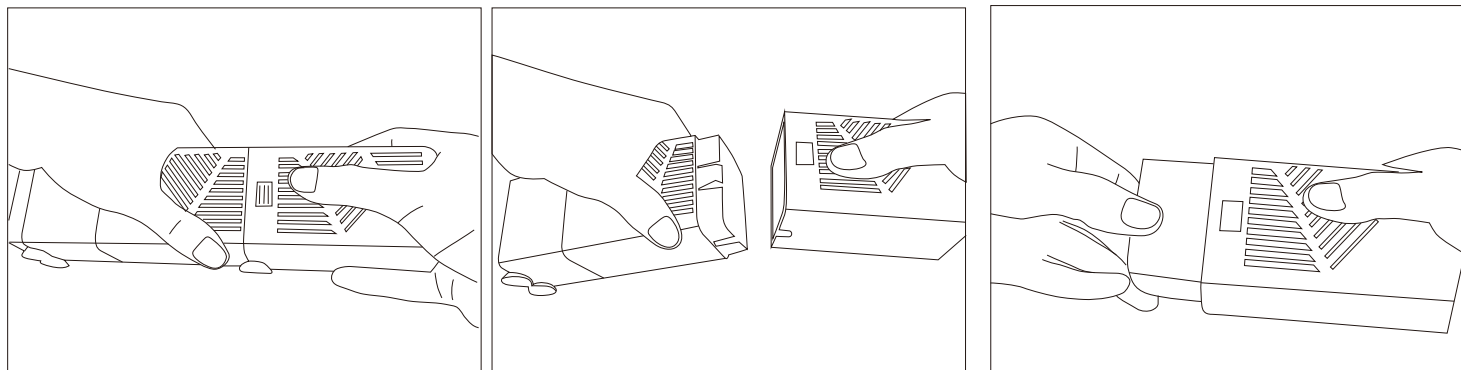
Note: It is recommended to replace the filter cartridge every 2 weeks to 1 month, depending on the number of fish, the degree of dirt in the aquarium, or the degradation level.

It is not recommended to clean the ceramic balls. It is recommended to replace them when they degrade.

To replace the carbon sponge, please follow the instructions below:

- ① Hold the filter basket with both hands and press the plastic buckle to pull it back.
- ② Remove the carbon sponge for replacement and reinstall it after replacement.

Reminder: If the water output is significantly reduced, please replace the carbon sponge in time to ensure that the aquarium remains in the best condition.

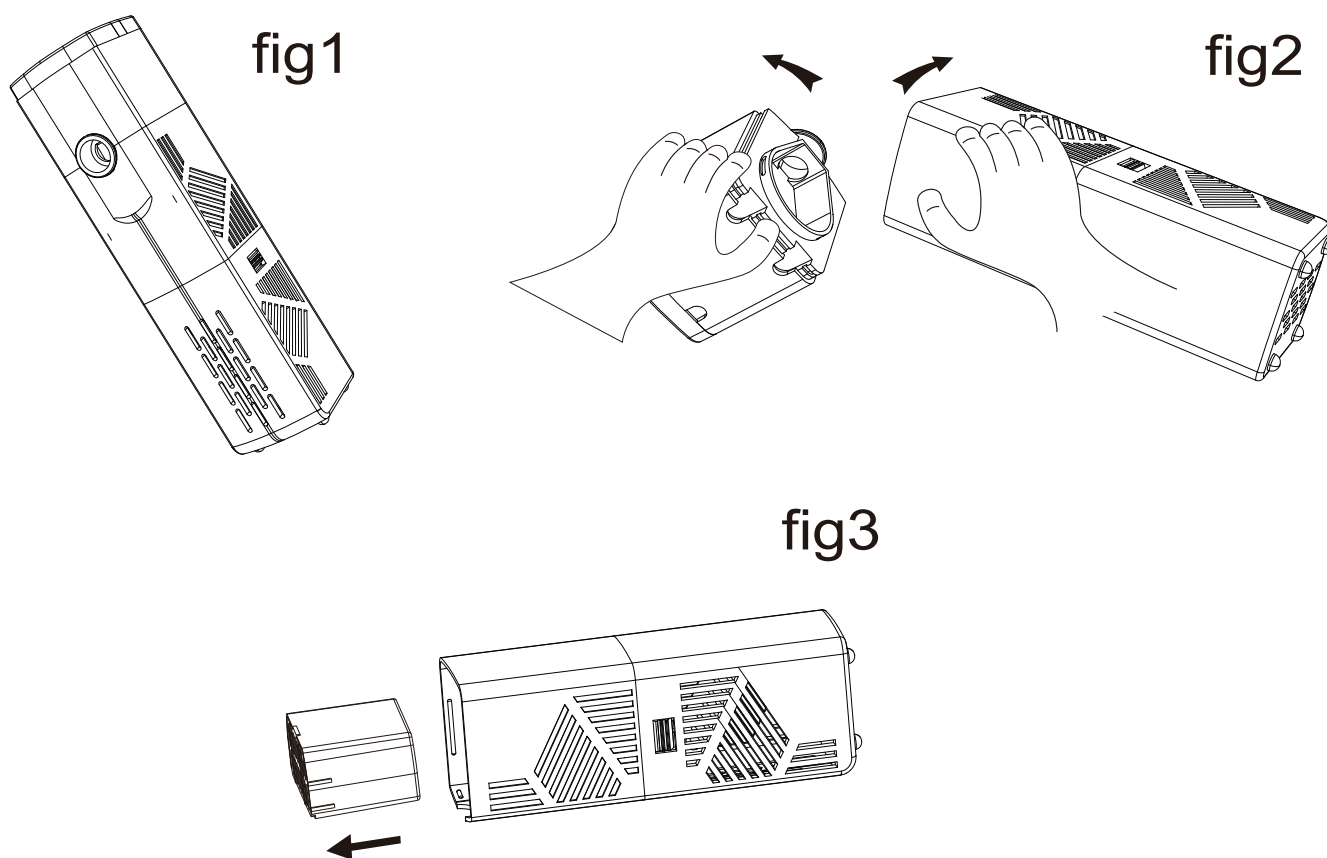


① hold → ② press and pull → ③ take out sponge

B) Replacing the ceramic balls

Pull the filter basket out from the pump body. Remove the replacement ceramic balls and install new ones.

Note: The best way to remove the basket is by “bending the metal wire”. Do not pull it left and right in a horizontal direction.



C) Maintenance of the pump

Pull out the filter cage, take out the impeller for cleaning and then reinstall it.

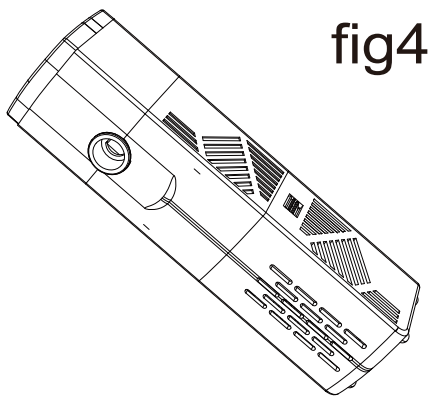


fig4

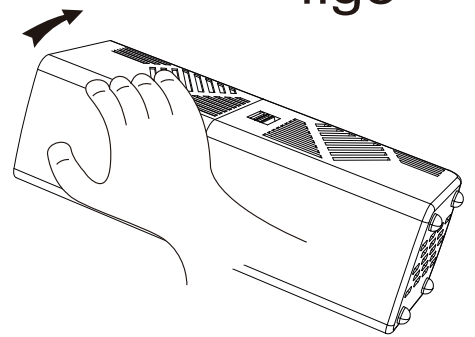
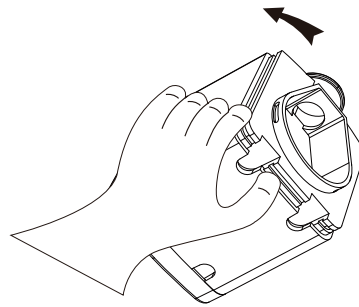


fig5

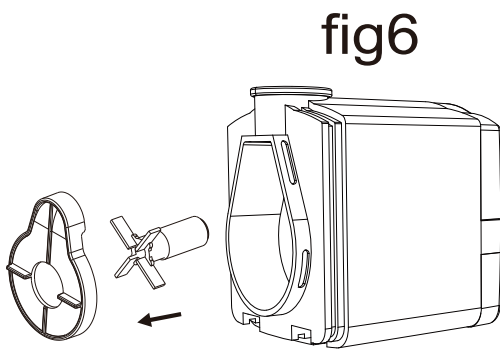


fig6

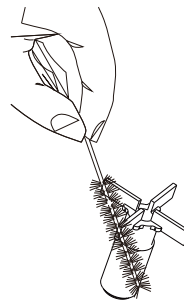


fig7

3. Troubleshooting

Trouble	Solution
Pump doesn't work	Filter not starting
	Main power supply doesn't match the specified power supply on the filter
	Inlet or outlet is blocked
	Impeller or rotor is damaged
Reduced water flow	Voltage is lower than the rated voltage
	Partial blockage in the inlet or outlet
	Waste buildup in the filtration system
Filter has noise	Inlet is partially blocked
	Water level is below the inlet of the filter
	Air is entering the filter causing noise
	Rotor is worn (need to be replaced)

4. IMPORTANT SAFETY CAUTIONS

1. Please operate the equipment at the rated voltage and frequency as indicated on the rating label and user manual.
2. A residual current device with a rating of 10mA or 30mA must be installed on the main power supply.
3. The power cord cannot be replaced. If the power cord or plug shows signs of wear or damage, or aging, please stop using this filter immediately. Do not attempt to shorten the power cord or unplug it. Failure to comply with these rules may result in damage to the filter.
4. If an abnormal smell or noise is detected from the filter, please unplug it immediately and check for the cause.
5. When plugging or unplugging the filter, make sure your hand and the plug are dry. Do not plug or unplug the filter with wet hands, as this may result in an electric shock.
6. Before installing or cleaning the filter, unplug it. When unplugging, do not pull the power cord suddenly, but hold the plug gently and remove it from the socket.
7. Properly protect the filter. If the filter suffers a severe impact, check if there is any damage. If there is any breakage, stop using the filter and dispose of it.
8. Do not let the filter run dry without water, as this will damage the rotor and will cause overheating of the motor.
9. Do not operate or place the filter in a freezing environment.
10. Always keep the filtering part from being clogged. Otherwise, the flow rate will decrease and the impeller will stop working.
11. Do not use the filter in inflammable or corrosive liquids. The filter should be operated in an environment less than 104 °F.

5. DISPOSAL

Do not dispose of this product as unsorted municipal waste. Collection of such waste separately for special treatment is necessary. This product must not be disposed of together with the domestic waste. This product has to be disposed of in an authorized place for recycling electrical and electronic appliances. By collecting and recycling waste, you help save natural resources, and make sure the product is disposed of in an environmentally friendly way.

6. PACKING LIST

- 1x Filter with cord and suction cups
- 1x 1/2inch(13MM) outlet
- 1x 3/8inch(8.5MM) outlet
- 1x19.7inch(19.7CM) air inlet with air flow regulation
- 1x Right angle outlet pipe
- 1x Adjustable outlet pipe
- 1x Spray pipe
- 1x Multi-direction adjustable water outlet
- 1x User manual

7. CONTACT INFORMATION

E-mail: service@hygger-online.com

Website: www.hygger-online.com