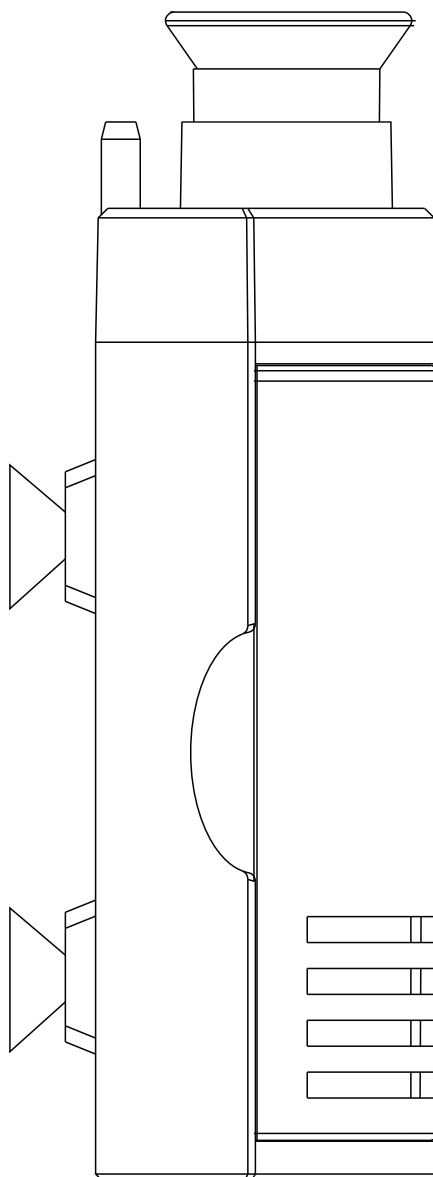




# HG-044 USER MANUAL

hygger 3-in-1 internal new aquarium filter

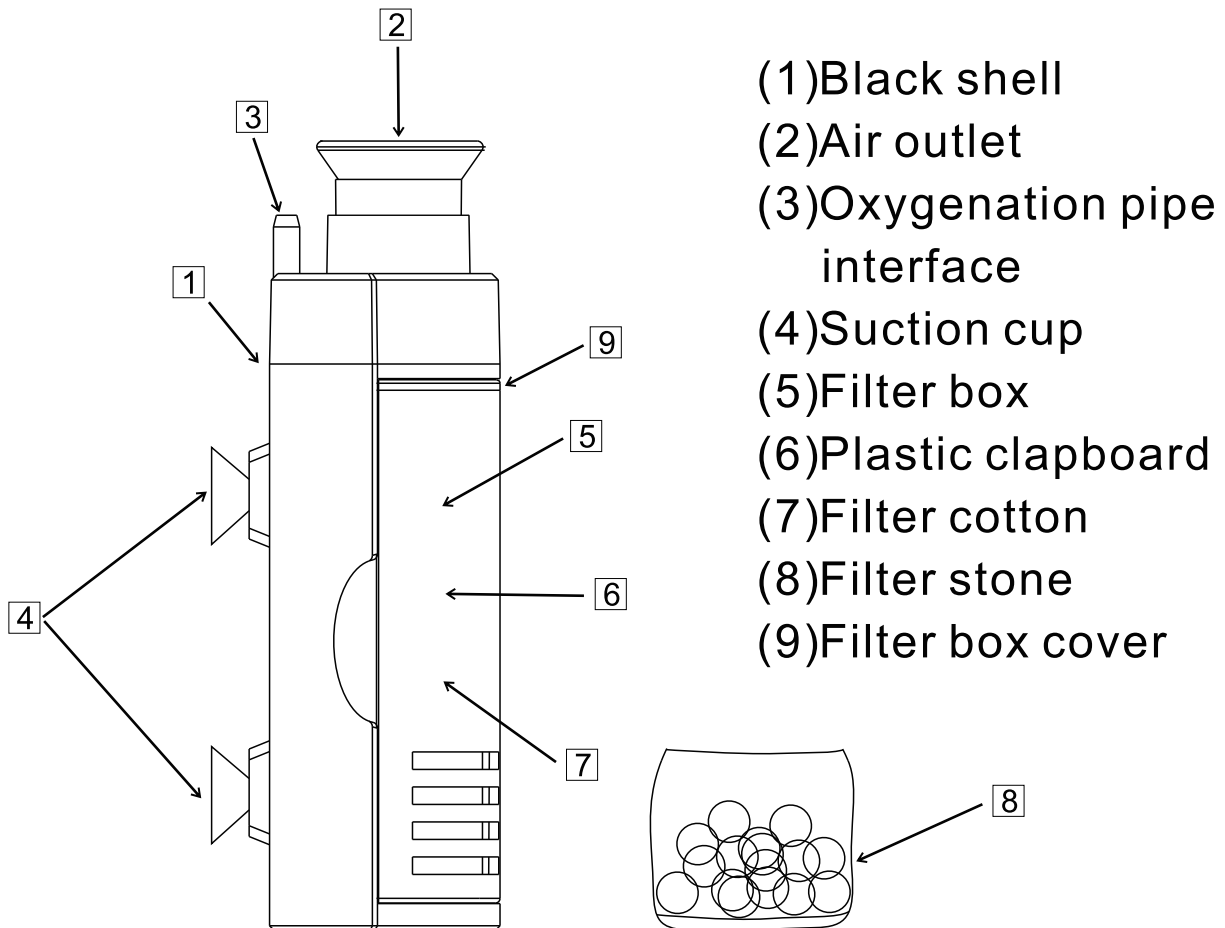
**Hygger 3-in-1 internal new aquarium filter is a tool for oxygenation, filtration and bacteria cultivation to purify water and quickly create a suitable air tank for fish. Please read this user manual carefully before using and follow it strictly.**



## **Note:**

This product needs to be used with air pump and air tubing, which are not included in this pack

# 1.PRODUCT DIAGRAM



## 2.INSTALLATION INSTRUCTIONS

- (1)Separate the filter box from the black shell, and open the black cover of the filter box.
- (2)Put the filter cotton into the bottom of the filter box, and fix the plastic partition board on the filter cotton. Then, take out the filter stone in the bag and pour it into the filter box.
- (3)Cover the lid of the filter box, and combine it with the black shell. Then, install the sucker on the black shell.
- (4)Connect the air pump and the filter with the oxygenating tube, and put the filter at the bottom of the aquarium. The suction cup should be adsorbed to the tank wall to stabilize the filter.
- (5)Bubbles will gush after turning on the air pump, and the filter will begin to work. (Tips: please ensure that the filter is fully submerged and there is sufficient water flow and water circulation in the tank.)

### 3.ATTENTIONS:

- √ Please read this user manual carefully before using and follow it strictly.
- √ Please keep it out of the reach of the children.
- √ When using this 3-in-1 internal new aquarium filter, make sure that the filter is fully submerged and there is sufficient water flow and circulation in the tank.
- √ Check for air leakage when connecting.
- √ Please clean the internal garbage regularly.
- √ Do not use the product in flammable or corrosive liquids.
- √ Do not use the product in water that is too hot or too cold (over 36°C or below 0°C), as it may damage the material.
- √ Turn on the air pump after the filter is placed in the tank. Turn off the air pump before replacing or removing the filter.

### 4.PACKING LIST

- (1)1x Filter
- (2)1x Filter stone
- (3)1x User Manual

### 5.DISPOSAL

Do not dispose of this product as unsorted municipal waste. Collection of such waste separately for special treatment is necessary. This product has to be disposed of at an authorized place for the recycling of electrical and electronic appliances rather than being disposed of together with the domestic waste. Collecting and recycling waste is a way of saving natural resources. So, please consult with your local seller to make sure the product is disposed of in an environmentally friendly way.

## 6.CONTACT INFORMATION

E-mail: [service@hygger-online.com](mailto:service@hygger-online.com)

Website: [www.hygger-online.com](http://www.hygger-online.com)