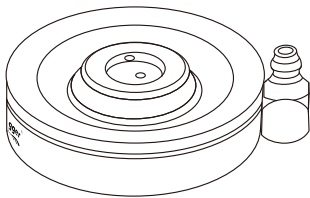


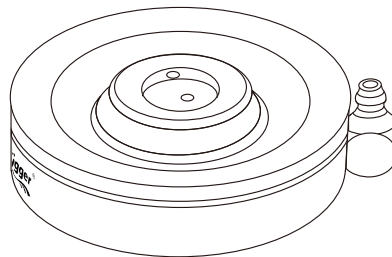


HG049 USER MANUAL

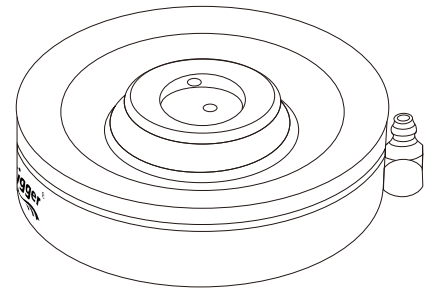
hygger acrylic disc nano air stone set



45mm(1.8")

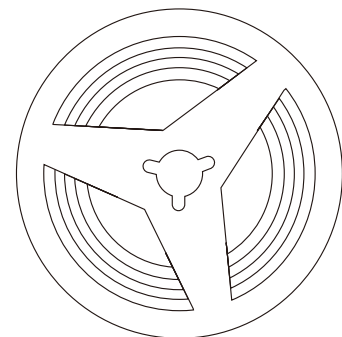
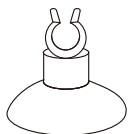


60mm(2.4")



80mm(3.15")

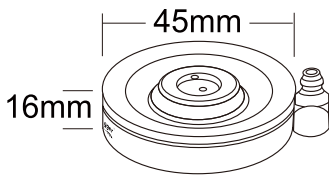
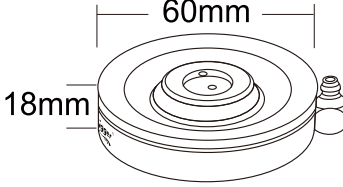
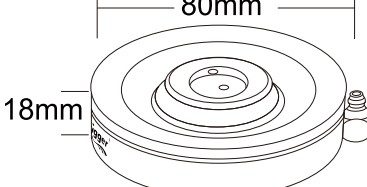
Accessories included: Air tube/check valve/plier/suction cup
Air Pump is not included.



1. PRODUCT FEATURES:

- ◆ **Ultra-High Dissolved Oxygen:** Special EVA material produces more bubbles to make the tank retain abundant oxygen and more suitable for fish growth.
- ◆ **Unique Design of Acrylic Disc Set:** Non-toxic clear acrylic design makes two loops bubble dissolve, given beautiful and a fantasy bubble wall.
- ◆ **Long Time Use and Easy Cleaning:** Special corrosion resistant material makes longtime use and never clogs, which is different from the traditional air stone; use the plier to open it for easy cleaning.
- ◆ **Suitable for both freshwater & saltwater.**

2. PRODUCT SPECIFICATIONS:

Picture			
Size	Dia:45mm(1.8")	Dia:60mm(2.4")	Dia:80mm(3.15")
Soft tube dia 4x6mm	✓	✓	✓
Suction cup	✓	✓	✓
Airstone	✓	✓	✓
Stainless steel plier	✓	✓	✓

3. INSTRUCTIONS:

- 1) Before using, please fully immerse the air disk into the water.
- 2) Please use enough air volume of the air pump (about 2W air pump) to carry the air disk.
Important Reminder: Please pay more attention if the disk does not dissolve the oxygen; please change different air pump to try or change the large volume air pump because it can not ensure the air pump has enough volume.
- 3) You can use the plier to open it when cleaning the EVA pads.
- 4) Please avoid using the air stone set in flammable, corrosive chemical gas or liquid.

4. PACKING LIST:

1 x Air Disk

1 x S/S Plier

1 x Air Tube(1 roll)

1 x Suction Cup

1 x Check valve

1 x User Manual

5. CONTACT INFORMATION:

E-mail: service@hygger-online.com

Website: www.hygger-online.com