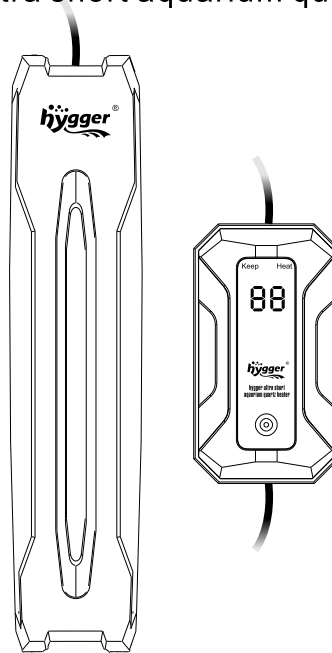




HG060 USER MANUAL

hygger ultra short aquarium quartz heater

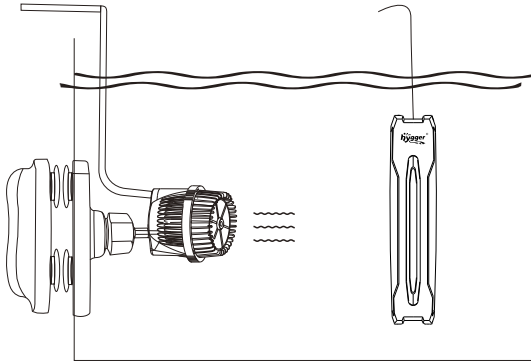


hygger ultra short aquarium quartz heater is perfect for freshwater or saltwater aquariums

****Reminder: The controller is not waterproof, do not allow it to get wet****

⚠ CAUTIONS:

- 1)When the heater is working, submerge it completely in water. Unplug the heater and wait for 15 minutes before changing the water or removing it.
- 2)When using the heater, please make sure there is sufficient water flow and water circulation in the tank.



- 3)Please refrain from burying the heating rod or using it near the sand.
- 4)The actual temperature display tolerance range $\pm 1^{\circ}\text{F}(\pm 1^{\circ}\text{C})$ is acceptable, as this is determined by the IC motherboard program.

1. PRODUCT FEATURES

Rapid heat accumulation: The heating rod is made of explosion-proof quartz glass material and a high-temperature resistant nickel-chromium heating wire with silicon carbide heat conduction; this makes the water heating faster and safer, more durable and longer-lasting heating.

LED digital temperature display: Flashing LED digital display means you can press the button to adjust preset temperatures and more functions for flagging Low/High temperature and out-of-water warning signs. The external controller makes operation easy and safe to use. Every touch changes the set temperature by $1^{\circ}\text{F}(1^{\circ}\text{C})$. Press for 5 seconds to switch between Celsius and Fahrenheit.

Precise temperature control: When the current water temperature is $1^{\circ}\text{F}(1^{\circ}\text{C})$ lower than the set temperature, the indicator light turns red and starts heating. The indicator light turns blue when the water temperature reaches the set temperature and stops heating. The heater temperature range is from $59^{\circ}\text{F}(15^{\circ}\text{C})$ to a max of $93^{\circ}\text{F}(34^{\circ}\text{C})$ to prevent harm to livestock and will flash. When the temperature reaches $95^{\circ}\text{F}(35^{\circ}\text{C})$, the HH warning signal will flash.

Easy operation: Connect the heater to an outlet, and it is ready to use. The clear LED display is easy to read and has a button for easy operation.

Out of water protection: When the heater is exposed to air or out of the water, it will flash "L1" on the controller. The heater will start working again when completely immersed in the water.

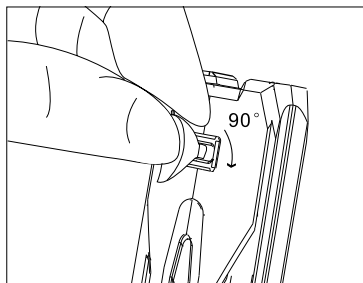
Memory function: If the power is turned off, the heater will keep the temperature settings until power is applied again.

2. PRODUCT SPECIFICATIONS

Model No:	Volt /Freq	Cord length	Application	Temp accuracy	Temp tolerance range	Control range	Heater rod dimension
HG060-100W	US	4.9ft+4.9ft (1.5m+1.5m)	20~100L (5-26Gal)	1°F (1°C)	±1°F (±1°C)	59°F-93°F (15°C-34°C)	9.25"x2.2x1.2" (23.5x5.5x3cm)
HG060-200W	standard: AC110-120V		80~200L (20~52Gal)				
HG060-300W	/60Hz EU/UK		150~300L (40~80Gal)				
HG060-A-500W	standard: AC220~240V		300~400L (80~105Gal)				
HG060-800W	/50Hz		400~600L (80~160Gal)				

3. INSTRUCTIONS

A) Attach the suction cup to the heater, and rotate it 90° to lock the suction cups.



B) Connect the heater to an outlet, and it is ready to use.

4. MAINTENANCE

- Unplug or switch off all appliances in the aquarium before carrying out maintenance.
- Do not use detergents or other chemical cleaners.
- Do not use detergents or other chemical cleaners.

- To clean the heater, unplug it first, leave it in the tank for 15 minutes, and remove it from the tank. Wash the heater with clean water.
- When reinstalling the heater, select your desired location and position the heater below the water.
- This appliance has no parts that users can repair.
- For indoor use only, not in the bathroom.

5. TROUBLESHOOTING

Fault code	Explanation	Solutions
LL	The tank temperature is lower than 59°F (15°C)	Increase the temperature
HH	The tank temperature reaches 95°F (35°C)	Decrease the temperature
EE	Sensor fault	Return to the seller
L1	Out of the water and exposed to air	Fully submersible in the water and will work normally

6. WARNING

To avoid possible electric shock, do not immerse the controller in the water. If the controller falls into the water or becomes wet, do not touch it until you have unplugged it. Basic safety precautions that should be observed are as follows:

1. Read and follow this user manual strictly.

2. **DANGER**- To avoid possible electric shock, special care should be taken since water is employed in the use of aquarium equipment. For each of the following situations, do not attempt to repair yourself. Instead, return the heater to an authorized service facility for maintenance or discard it.

- A. If the heater show any sign of abnormal working, unplug the power and remove the heater from the water after 15 minutes.
- B. Carefully examine the heater after installation. It should not be plugged in if there is water on parts that are not intended to be wet.
- C. Do not operate the heater if it has a damaged cord or plug, is malfunctioning, dropped or damaged in any manner. The power cord of this heater cannot be replaced. If the cord is damaged, the heater should be discarded.
- D. To avoid the possibility of the heater plug getting wet, position the aquarium and its stand to one side of a wall mounted outlet to prevent water from dripping onto the outlet or plug. A “drip loop”, shown in the figure below, should be arranged by the user for each cord, which connects the heater to the outlet. If an extension cord is used, the “drip loop” is the part of the cord below the level of the outlet or the connector that prevents water from traveling along the cord and coming in contact with the outlet. If the plug or outlet does get wet, **DO NOT** unplug the cord. Disconnect the fuse to the circuit breaker that supplies power to the heater. Then unplug and

examine for the presence of water in the outlet. If you are not sure, consult a certified electrician.

POWER CORD



DRIP LOOP

- 3. Close supervision is necessary when the heater is used near children.
- 4. This heater is not allowed to use by persons (including children) with reduced physical sensory or mental capabilities or lack of experience and knowledge unless they have been given supervision or instruction concerning the use of the heater by a person responsible for their safety.
- 5. To avoid injury, do not contact moving or hot parts.
- 6. Always unplug the heater from the outlet when not in use, before putting on or taking off parts, maintenance or placing hands in the water. Never yank the cord to pull the plug from the outlet. Grasp the plug and pull to disconnect.
- 7. Do not use the heater for other than intended use. The use of attachments not recommended or sold by the appliance manufacturer may cause an unsafe condition and will void the warranty.

8. Do not install or store the heater where it will be exposed to extreme weather or temperatures below freezing.
9. Only use the heater in freshwater or saltwater, do not use it in other liquids.
10. Make sure the heater is securely installed before operating it.
11. Read and observe all the important notices on the heater.
12. If an extension cord is necessary, a cord with a proper rating should be used, such as rated amperes or watts. A cord rated for fewer amperes or watts than the heater rating may overheat. Care should be taken to arrange the cord so that it will not be tripped over or pulled.
13. The heater is intended FOR HOUSEHOLD USE ONLY.
14. SAVE THIS USER MANUAL.

7. ATTENTIONS

- √ Please check all the items to inspect their condition when unboxing the package.
- √ Please read this user manual carefully before using and follow it strictly.
- √ Please choose a heater rated for your aquarium.
- √ Please place the heating rod in the way of water flow and don't bury it in the substrate.
- √ It is suggested that the heater is submerged more than 5 inches below the water.
- √ Please make sure the heating rod is fully submerged when it's on duty. Unplug the heater and wait for 15 minutes before changing the water or removing the heater.
- √ Please mind that the heater can be turned off automatically when exposed to air, but it is a last resort and should be avoided.
- √ After using the heater for a while, calcium carbonate contained in algae or moss may clump and adhere to the heating rod.
- √ If dirt adheres to the heating rod, use a sponge or cloth and water to wipe it. Do not use alcohol or other chemicals as this may damage the heater and harm the fish or other livestock.
- √ If you use the heater for a prolonged period with dirt adhered to the heating element, please be aware that failure may occur due to the inability to control the temperature correctly.
- √ Please place the heating rod far away from the magnetic brush since the magnet will possibly damage the heating element.
- √ There will be a little mist on the inner wall of the tube while heating, and it will disappear slowly after the heating stops, which means it's a normal phenomenon. So you don't have to worry about it, it is a safe and double-protected product that has passed the UL certification.

8. DISPOSAL

Do not dispose this product as unsorted municipal waste. Collection of such waste separately for special treatment is necessary. This product has to be disposed at an authorized place for the recycling of electrical and electronic appliances rather than being disposed together with the domestic waste. Collecting and recycling waste is a way of saving natural resources. So, please consult with your local seller to make sure the product is disposed in an environmentally friendly way.

9. PACKING LIST

1x Heater rod

3x Suction cups (includes 1pc spare part)

1x User manual

10. CONTACT INFORMATION

E-mail: service@hygger-online.com

Website: www.hygger-online.com