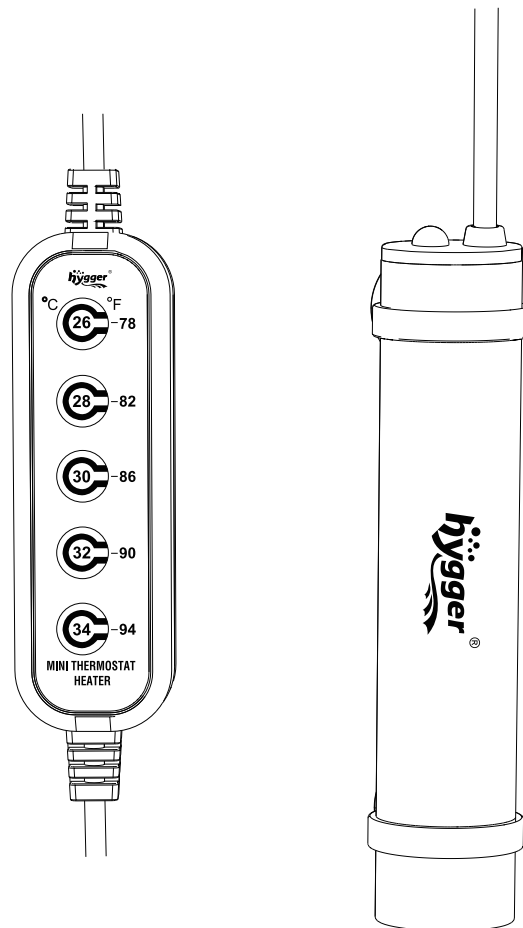




# HG083 (FIVE-KEY MODEL) USER MANUAL

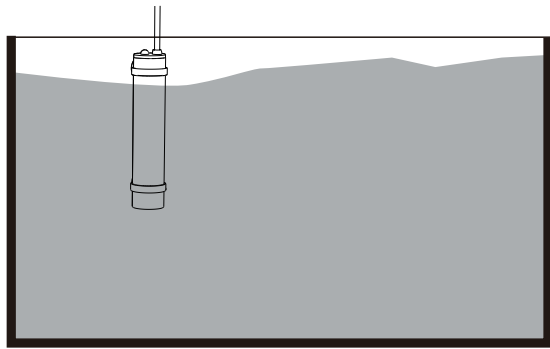
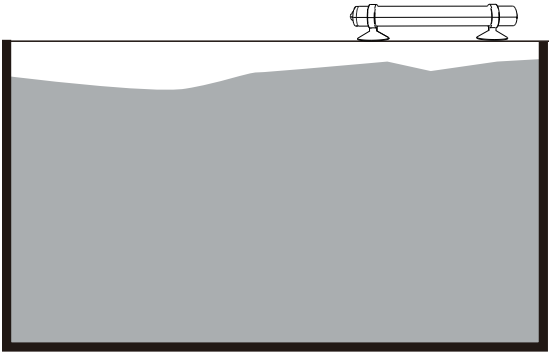
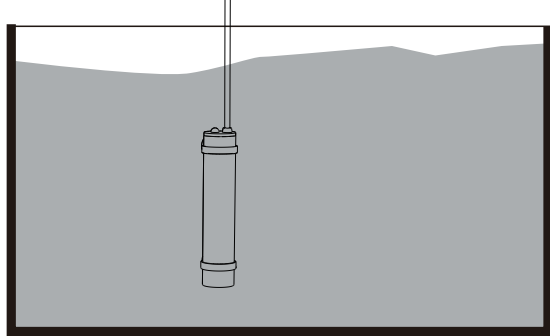
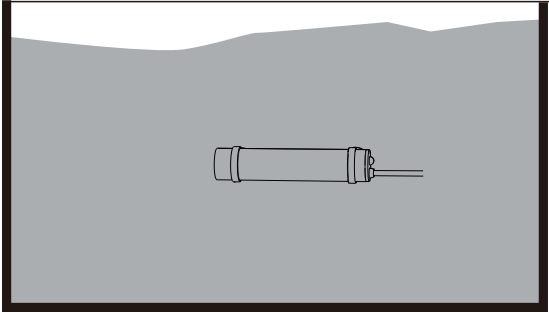
## hygger aquarium mini heater



hygger's aquarium heater is designed specifically for freshwater and saltwater aquariums and is an excellent choice to maintain a stable water temperature.

**⚠ Attention:**

1. Place the hygger heater fully submersible as illustrated in the diagram below because it doesn't automatically power off when out of water.
2. Unplug the heater and wait for 15 minutes before changing water or removing the heater.
3. Please make sure there is enough water flow and circulation in the fish tank when using the heater.



4. Reminder: The controller is not waterproof, please do not expose it to water.

# 1. PRODUCT PARAMETERS

<b>Model No</b>	HG083			
<b>Power</b>	15W	25W	50W	75W
<b>Voltage</b>	US Standard: AC 110-120V/60 Hz EU/UK Standard: AC220-240V/50Hz Japan Standard: AC100-120V/50-60Hz			
<b>Cord length</b>	4.63ft+0.82ft			
<b>Application</b>	0.4-2.64Gal	0.4-5.3Gal	0.4-11.9Gal	0.4-15.9Gal
<b>Temp Accuracy</b>	±2°F			
<b>Control Range</b>	78°F-94°F			
<b>Heating Rod Dimension</b>	4.45x0.9x0.56inch			
<b>Temp Controller Dimension</b>	3.37x1.1x0.59 inch			

# 2. PRODUCT FEATURES

**Quick and Easy Installation:** Just power on the heater, install the sucker, and set your desired temperature. Then the heater will start heating up.

**Durable & Material:** The heater is coated with Teflon on the surface to resist corrosion and high temperatures

**Energy Saving:** Once the heater has heated to the set temperature, it will stop heating to save energy. The heater will resume heating when the water temperature falls 1-2°F below the set temperature.

**Widely Used:** The heater is suitable for aquariums, pet water dispensers, turtle tanks, saltwater, fresh water, etc.

# 3. PACKAGE LIST

- 1× Heater with controller
- 2× Suction cups
- 1× User manual

## 4. USER INSTRUCTION

**Step 1:** Ensure the heater is fully submerged before plugging it into an electrical socket.

**Step 2:** Once you plug in the power, the controller's indicator light will turn on. Set your desired temperature. There are five temperature can be set: 78°F、82°F、86°F、90°F、94°F. By pressing the button, the heater will heat up to the desired temperature. When the water temperature is higher than the set water temperature, the indicator light on the controller will flash green to indicate that the heater has stopped heating. When the water temperature falls below the set temperature, the indicator light on the controller will flash red to indicate that the heater is heating.

## 5. WARNING

To guard against injury, the following basic safety precautions should be observed:

1. Read and follow this user manual strictly.

2. **DANGER**-To avoid possible electric shock, special care should be taken since water is employed in the use of aquarium equipment. For each of the following situations, do not attempt to repair yourself; return the heater to an authorized service facility for service or discard the heater.

A. If the heater shows any sign of abnormal working, unplug it from the power source for 15 minutes before removing the heater from the water.

B. Carefully examine the heater after installation. It should not be plugged in if there is water on parts of the heater that are not intended to be wet.

C. Do not operate the heater if it has a damaged cord or plug, if it is malfunctioning or if it is dropped or damaged in any manner.

D. The power cord of this heater cannot be replaced, the heater should be discarded if the cord is damaged.

E. To avoid the possibility of the heater plug getting wet, position aquarium stand and tank to one side of a wall mounted receptacle to prevent water from dripping onto the receptacle or plug. A "drip loop", shown in the figure below, should be arranged by the user for each cord connecting the heater to the receptacle. The "drip loop" is the part of the cord below the level of the receptacle, or the connector. If an extension cord is used, to prevent water traveling along the cord and coming in contact with the receptacle. If the plug or receptacle does get wet, **DO NOT** unplug the cord. Disconnect the fuse to the circuit breaker that supplies power to the heater. Then unplug and examine for the presence of water in the receptacle.

**POWER CORD**



**DRIP LOOP**

3. Close supervision is necessary when the heater is used near children.
4. This heater is not allowed to use by persons (including children) with reduced physical, sensory or mental capabilities, or lack of experience and knowledge, unless they have been given supervision or instruction concerning use of the heater by a person responsible for their safety.
5. To avoid injury, do not contact moving parts or hot parts and so on.
6. Always unplug the heater from the outlet when not in use, before putting on or taking off parts, and before maintenance or placing hands in the water. Never yank the cord to pull plug from outlet. Grasp the plug and pull to disconnect.
7. Do not use the heater for other than intended use. The use of attachments not recommended or sold by the appliance manufacturer may cause an unsafe condition.
8. Do not install or store the heater where it will be exposed to the weather or to temperatures below freezing.
9. Only use in freshwater and saltwater, do not use the heater in other liquids.
10. Make sure the heater is securely installed before operating it.
11. Read and observe all the important notices on the heater.
12. If an extension cord is necessary, a cord with a proper rating should be used. A cord rated for less amperes or watts than the heater rating may overheat. Care should be taken to arrange the cord so that it will not be tripped over or pulled.
13. The 2-conductor power cord has a polarized plug (one blade is wider than the other). As a safety feature, this plug will fit in a polarized outlet only one way. If the plug does not fit fully in the outlet, reverse the plug. If it still does not fit, contact a qualified electrician. Never use with an extension cord unless plug can be fully inserted. Do not attempt to defeat this safety feature.
14. The heater is intended FOR HOUSEHOLD USE ONLY.
15. SAVE THIS USER MANUAL.

## 6. TROUBLESHOOTING

Fault Code	Explanations	Solutions
Inaccurate temperature	The environment temperature is too low or the water capacity is too large	Increase the circular water pump to promote water circulation
Do not heat	Whether the voltage meets the product requirements, whether the socket is poor, whether the environment and water temperature higher than setting temperature.	Check the voltage and socket requirements, set the temperature again. The heater will stop heating if you set the temperature higher than the 26-34°C ( 78-94°F ) 。 The heater have the "step heating" function which heat it for a while and stop it for a while to use the quantity of waste heat
Can not heat the setting temperature	The environment temperature is too low or water capacity is too larger, the power is not fit to the heater and the water is not cycle.	Decrease the water capacity or increase the heater power.
Can't solve the quality problem		Contact the seller

## 7. ATTENTIONS

- ✓ Please check all the items to inspect condition when unboxing the package.
- ✓ Please read the instructions carefully. Use and follow the instructions strictly.
- ✓ Please choose the suitable size for aquarium.
- ✓ Please place the heater in the way of water flow and don't bury it.
- ✓ Please place the heater submersible fully when it's on duty, unplug the heater and wait for 15 minutes before changing water or removing over heater.
- ✓ Please mind that the heater can be turned off automatically when exposed to air, but it is the last resort.

## 8. DISPOSAL

Do not dispose this product as unsorted municipal waste. Collection of such waste separately for special treatment is necessary. This product must not be disposed together with the domestic waste. This product has to be disposed at an authorized place for recycling of electrical and electronic appliances. By collecting and recycling waste, you help save natural resources, and make sure the product is disposed in an environmentally friendly and healthy way.



## 9. CONTACT INFORMATION

E-mail: [service@hygger-online.com](mailto:service@hygger-online.com)

Website: [www.hygger-online.com](http://www.hygger-online.com)