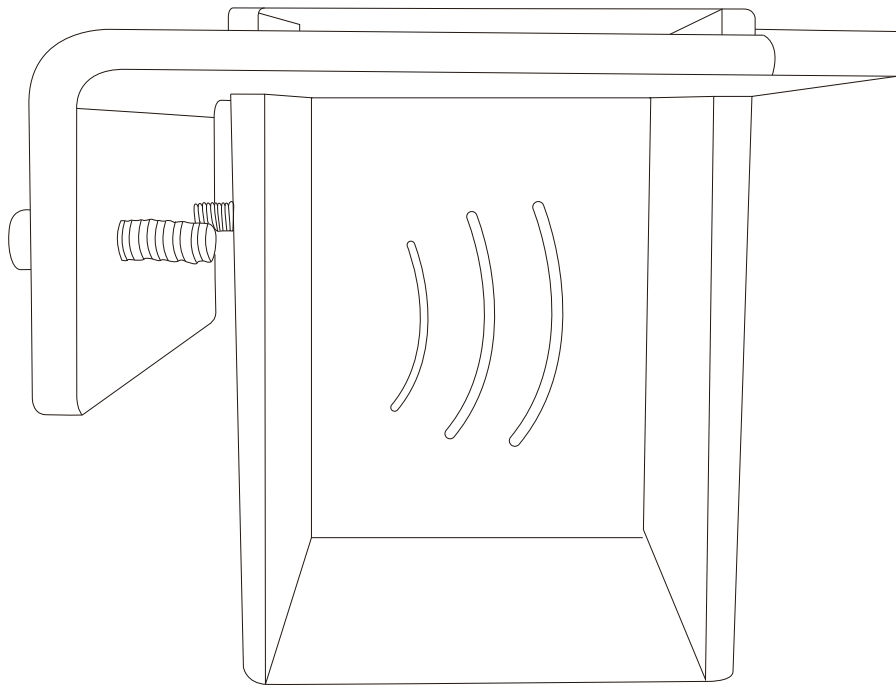




HG090 USER MANUAL

hygger marine fluorescent feeding ring



hygger aquarium fluorescent feeding ring is a unique and interesting product. It features a special oil-resistant film design that prevents feed from floating in the fish feeding ring for a long time, avoiding the formation of an oil film, the gaps on the left and right sides of the ring allow the oil film to flow away gradually with water flow. It is easy to install and disassemble, making it a practical and lightweight solution.

1. PRODUCT FEATURES

The high appearance value will not be affected by the addition of the pendant to a fish tank does not affect its high aesthetic value; instead, it enhances the beauty when illuminated by light

The feeding ring helps to feed fish at specific locations, establishing a fixed feeding position, reducing feed waste, and minimizing water pollution.

It effectively prevents fish food from drifting and is suitable for all types of slow settling and floating feeds, effectively trapping the feed without compromising water quality.

Made of thickened, corrosion-resistant and wear-resistant acrylic material, the feeding ring is highly transparent.

The clip design allows for easy attachment to glass with a thickness range of in 0.3-0.8 in(6-19mm), ensuring sturdy and stable installation.

The pendant features a fluorescent acrylic board, which maximizes its brightness and becomes even more vibrant under blue light irradiation.

The feeding circle's height is adjustable, allowing for flexible adaptation to different water levels.

2. PRODUCT SPECIFICATIONS

Model	HG090
Material	Acrylic
Applications	0.24-0.75 in
Feeding ring	2.36×2.36×3.93 in
Fluorescent board	3.11×3.62 in

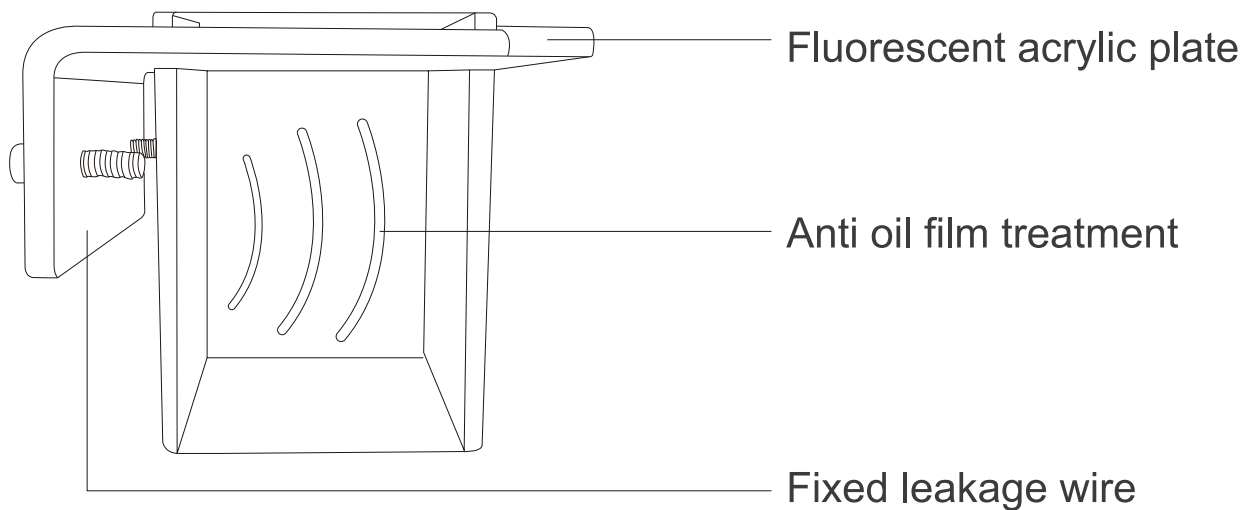
3. ATTENTION

Cylinder wall. Please avoid applying excessive force when tightening the flathead screw of the pendant. The acrylic material has a slightly soft hardness, and applying too much force may result in minor deformation.

4. DISPOSAL

Do not dispose of this product as unsorted municipal waste. Collection of such waste separately for special treatment is necessary. This product has to be disposed of at an authorized place for the recycling of electrical and electronic appliances rather than being disposed of together with the domestic waste. Collecting and recycling waste is a way of saving natural resources. So, please consult with your local seller to make sure the product is disposed of in an environmentally friendly way.

5. PRODUCT DETAILS



6. CONTACT INFORMATION

E-mail: service@hygger-online.com

Website: www.hygger-online.com