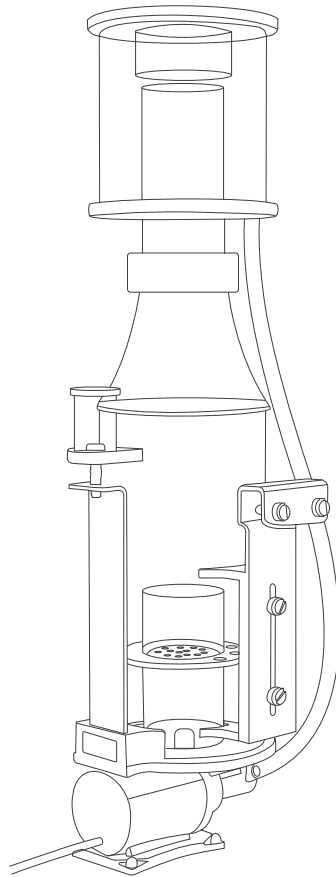




HG092 USER MANUAL

hygger internal protein skimmer



hygger internal protein skimmer for saltwater aquarium is a highly recommended choice for aquariums with a capacity of up to 80 gallons (303L). Before use, please read and carefully follow the instructions provided in this manual for proper operation and installation. It is important to note that the protein skimmer should not be moved during operation to avoid any potential damage.

1.PRODUCT FEATURES

Energy-saving and Quiet: It is self-developed and produced DC water pumps, low-voltage, safe, efficient.

Curved Housing: Simple and convenient adjustment, resulting in better and smoother accumulation of bubbles. The rising speed of foam is even, resulting in smooth foam and effective discharge of organics in the cylinder.

The protein skimmer with a simple and reasonable bucket bin design for separation, with compact size and small footprint. The needle brush pump adopts a ceramic shaft and special needle brush, providing a longer service life and allowing for simple disassembly and convenient cleaning.

Multifunctional: The protein skimmer effectively filters air bubbles, separates impurities, and increases oxygen levels in the aquarium. It is specifically designed to meet the needs of separating different types of contaminants.

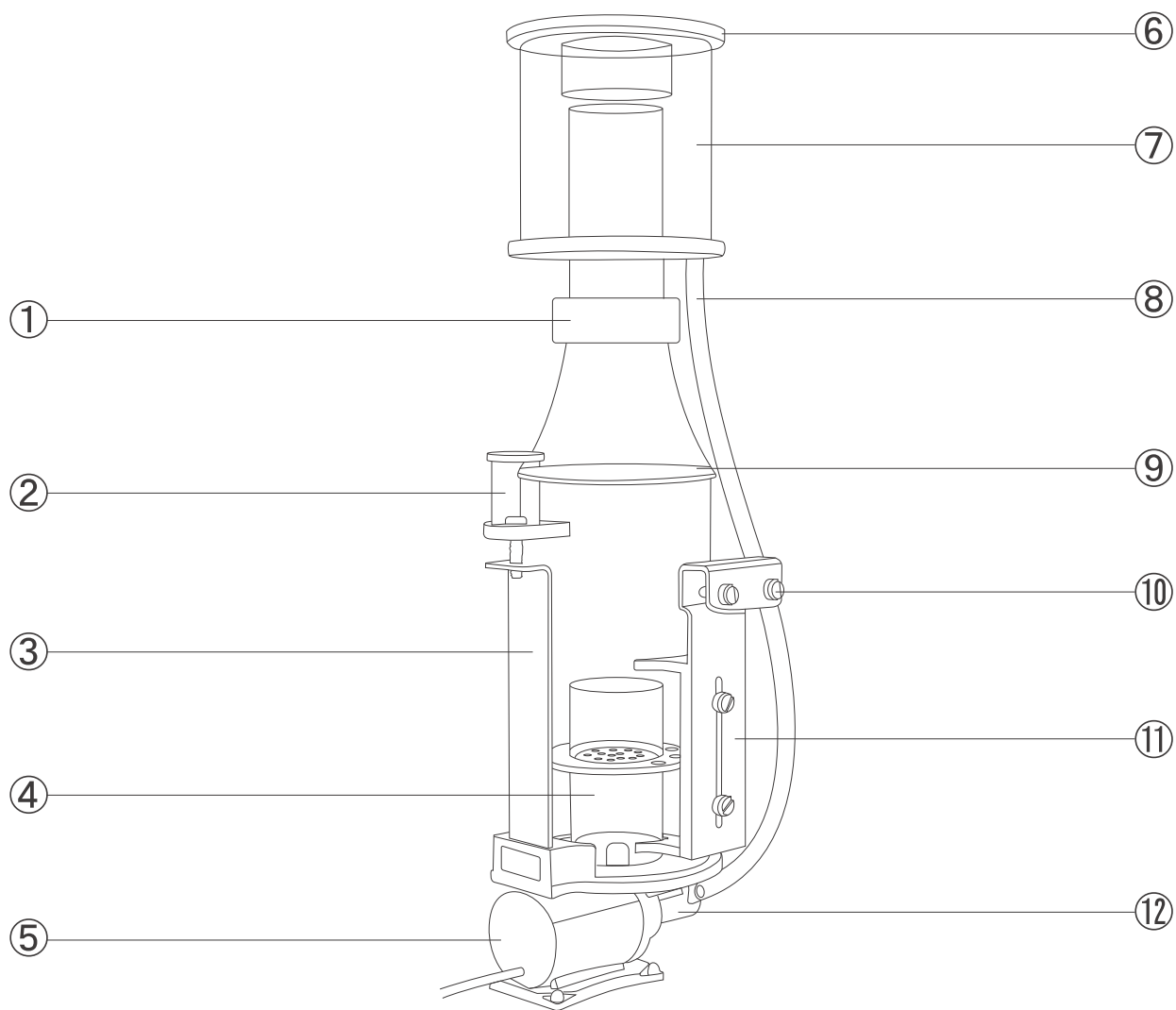
Safe and Harmless Materials: Made with materials that are harmless and have no adverse effects on water quality organisms

Simple Operation: The protein skimmer is designed for easy operation, ensuring convenience of aquarium enthusiasts.

2. PRODUCT SPECIFICATIONS

Model	HG092
Needle brush pump	DC-1000
Power of pump	DC24V-12W
Flow rate	264 GPH (1000 LPH)
Maximal suction capacity	66 GPH (250LPH)
Application	48-79 gal (180-300L)
Processing capacity	171 GPH (650LPH)
Floor space required	4.4 *4.3*16.5 in (110*108*420mm)
Recommended water level	4.4-5.9 in (110-150MM)

3. PRODUCT DIAGRAM



1. Pan head rubber ring
2. Silencer
3. Water outlet regulating plate
4. Diversion box
5. Needle brush pump
6. Collection cup with lid
7. Collection Cup
8. Intake pipe
9. Reaction chamber
10. Slotted screw
11. Aeration parts
12. Hanger Group

4. MAINTANCE

The collection cup needs to be cleaned regularly to maintain its optimal performance. Typically, impurities will accumulate and settle before cleaning is required. However, the reaction chamber does not require regular cleaning. Only when impurities accumulate to a significant extent in the main chamber should it be cleaned.

5. TROUBLESHOTTING

If the product is not function properly, please check the following:

A.Ensure that the socket and plug are securely contacted.

B.If there are few or no bubbles, check the muffler and air pipe filling to ensure they are not blocked.

C. Whether the water pump absorbs sand, algae, and debris can cause damage to the rotor and needle brush, please be careful!

D. Be cautious of sand, algae, and debris being sucked into the water pump, as they can cause damage to the rotor and needle brush.

6. DISPOSAL

Do not dispose this product as unsorted municipal waste. Collection of such waste separately for special treatment is necessary. This product has to be disposed at an authorized place for the recycling of electrical and electronic appliances rather than being disposed together with the domestic waste. Collecting and recycling waste is a way of saving natural resources. So, please consult with your local seller to make sure the product is disposed in an environmentally friendly way.

7. CONTACT INFORMATION

E-mail: service@hygger-online.com

Website: www.hygger-online.com