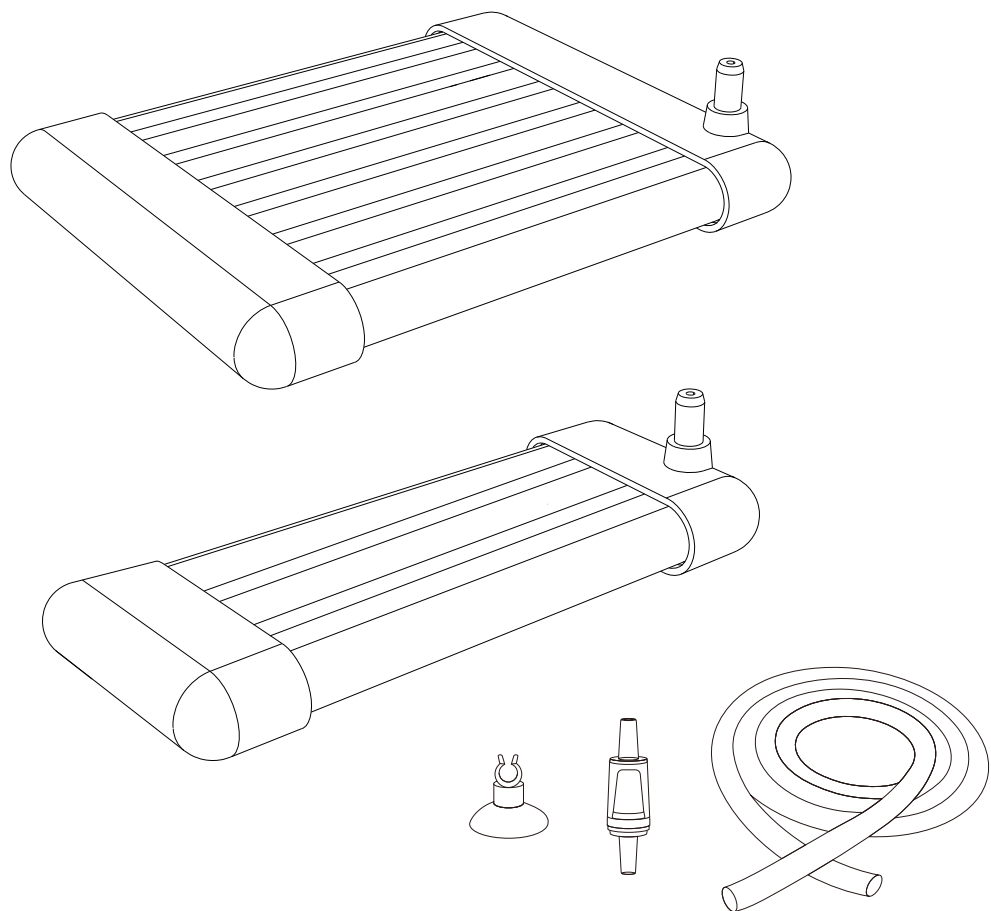




HG093 USER MANUAL

hygger new design disc nano diffused air plate set



**Accessories included: Air tube/check valve/suction cup
Air pump is not included.**

1. PRODUCT FEATURES

Ultra-High Dissolved Oxygen: Special EVA material produces an abundance of bubbles, providing ample oxygen for the tank and promoting fish growth.

Unique Design of Plastic Air Plate Set: Made of PVC+ fiber material, the air plate set creates a mesmerizing bubble wall, adding a touch of beauty and fantasy to the aquarium.

Long Time Use and Easy Cleaning: Special corrosion-resistant material makes long time use and without clogging, which is different from the traditional air stone.

Suitable for both freshwater & saltwater.

2. PRODUCT SPECIFICATIONS

Model	HG093-3.5CM(1.4")	HG093-9.5CM(3.7")
Size:	12CM(L) x3.5CM(W) (4.7"L x 1.4"W)	12CM(L)x9.5CM(W) (4.7"L x 3.7"W)
Soft tube 4x6MM	✓	✓
Suction cup	✓	✓
Air plate	✓	✓
Check valve	✓	✓

3. INSTRUCTIONS

1) Before using, please fully immerse the air plate into the water.

2) Please use enough air volume of the air pump (about 2W air pump) to carry the air disk.

Important Reminder: Please pay more attention if the palte does not dissolve the oxygen; please change different air pump to try or change the large volume air pump because it can not ensure the air pump has enough volume.

3)Please avoid using the air plate set in flammable, corrosive chemical gas or liquid.

4.PACKING LIST

- 1x Air plate
- 1x Air tube (1 roll)
- 1x Suction cup
- 1x Check valve
- 1x User Manual

5. CONTACT INFORMATION

E-mail: service@hygger-online.com

Website: www.hygger-online.com