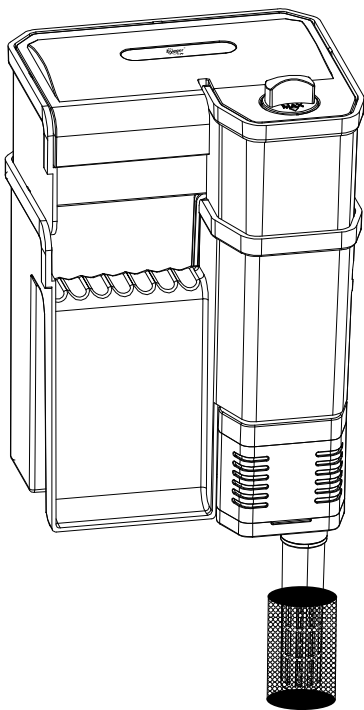


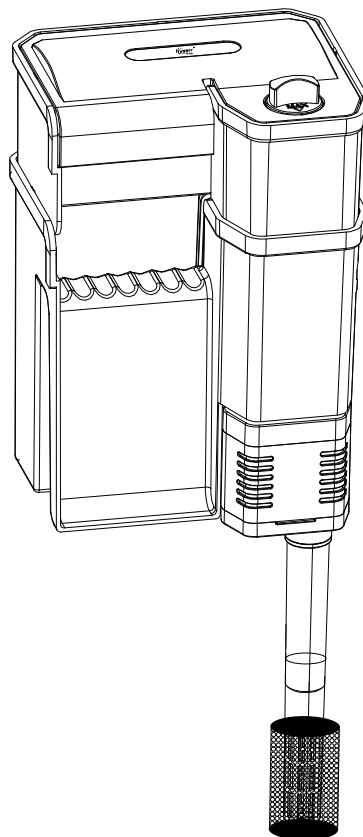


HG099 USER MANUAL

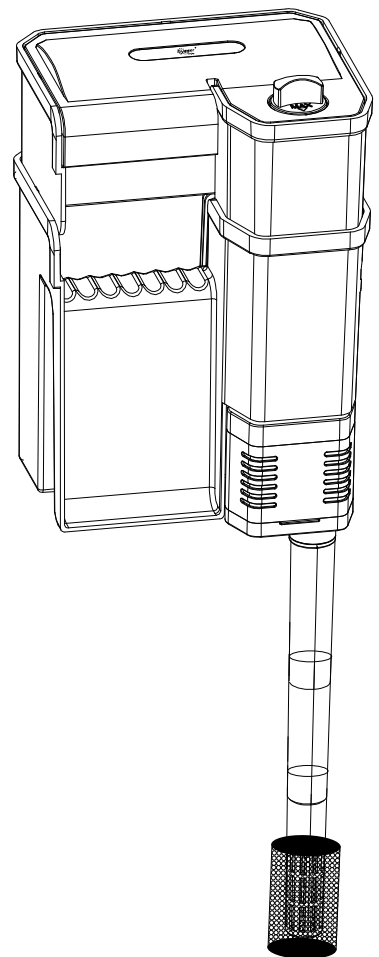
hygger Crystal Aquarium Filter



HG099-S



HG099-M



HG099-L

hygger Crystal Aquarium Filter is hung over the aquarium glass. The filter purifies and stabilizes the aquarium water by utilizing the activated carbon sponge insert and biochemical filter balls, thus creating healthy living conditions for the fish and invertebrates in the aquarium.

1. PRODUCT FEATURES

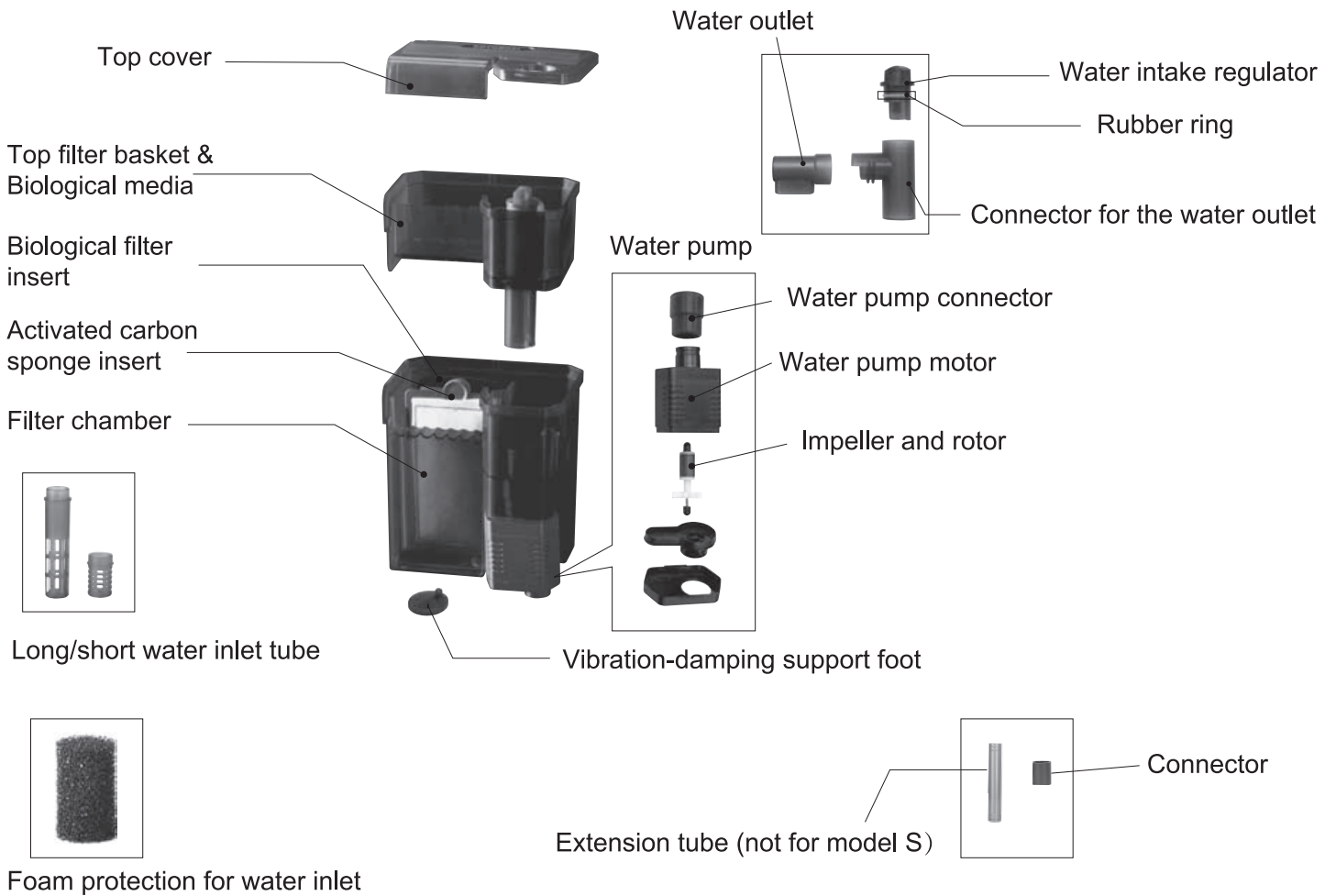
- Double-layer filter chamber for flexible use of different filter media.
- Smooth running. Vibration-damping support absorbs the vibrations of the pump.
- Activated carbon sponge insert and biochemical filter balls effectively filter suspended particles, provide a colonization surface for beneficial bacteria, and stabilize the water quality.
- The extended outlet surface ensures more oxygen can be dissolved in the water.
- The water pump has a copper motor for a longer service life.
- The flow rate can be adjusted at the water outlet
- Automatic water intake, no manual starting aid required.
- Suitable for aquariums with a glass thickness of up to 0.7 inches(18MM).

2. PRODUCT SPECIFICATIONS

Model	HG099-S	HG099-M	HG099-L
Power	5W	6W	7W
Volt/Freq	US standard: AC110-120V/60Hz EU/UK /AU standard: AC220-240V/50Hz		
Flow rate	79GPH	100GPH	153GPH
	(300L/H)	(380L/H)	(580L/H)
Size	4.5"x4"x11"	5.6"x4.7"x15.9"	6.7"x4.7"x19.4"
	11.4CM(L)x10.2(W) X28CM(H)	14.3CM(L)x12CM(W) X40.5CM(H)	17CM(L)x12CM(W) x49.4CM(H)
Recommended aquarium size	4-21Gal(15-80L)	10-30Gal(38-115L)	20-50Gal(75-185L)

Model	Filter Accessories list (Standard)		
HG099-S	1PC Activated carbon sponge insert	None	1 Bag of biological media
HG099-M	1PC Activated carbon sponge insert	1PC Black biological sponge	1 Bag of biological media
HG099-L	1PC Activated carbon sponge insert	1PC Black biological sponge	1 Bag of biological media

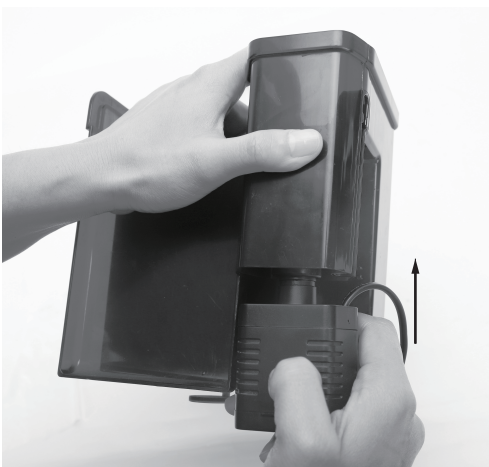
3. PRODUCT DIAGRAM



4. INSTALLATION DIAGRAM

1. Open the packaging and check the accessories for completeness.
2. Connect the pump connector to the pump and press firmly upwards to create a firm connection between the pump and the connector-as shown in the figure.

FIG 1



Press the connector firmly upwards

FIG 2

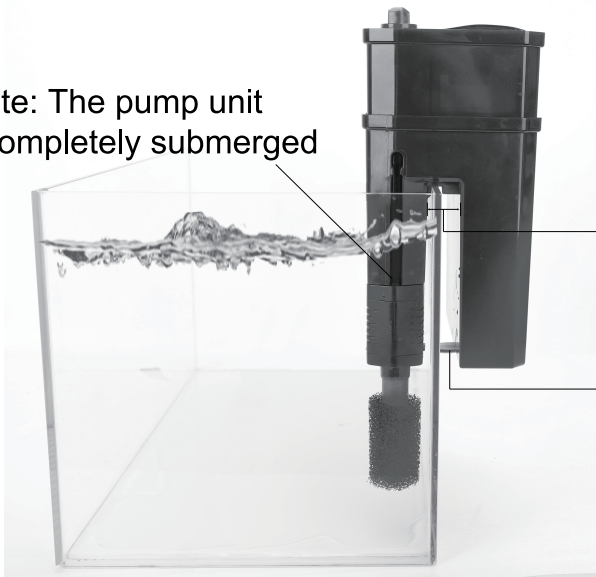


Ensure that the pump and connector are firmly engaged

3. Attach the water inlet tube, extension tube, and the filter sponge, insert the carbon sponge insert and add the biochemical filter balls.

4. Hang the filter on the aquarium glass and adjust the support foot.

Please note: The pump unit must be completely submerged in water



The maximum glass thickness is 18 mm

Adjust the vibration-damping support foot as required

5. First set the flow regulator to the highest flow rate. The filter does not need to be filled with water. Connect to the mains – done.

6. Reminder: To remove the upper filter basket, hold the connecting tube firmly and pull it upwards.



Pull upwards

5. ATTENTIONS

1. Before using the filter for the first time, please check that the rated voltage and frequency of the filter pump printed on the filter match your mains voltage.
2. The socket should be located above the water line of the aquarium so that no water can accidentally run along the cable.
3. For safety reasons, the appliance must be disconnected from the power supply when assembling or disassembling the filter and during cleaning.
4. The plug must not get wet. For safety reasons, never touch it with wet hands.

6. TROUBLESHOOTING

Error	Cause	Solution
The filter does not work	No power supply	Connect the power supply
	The impeller is blocked	Clean the impeller and then reconnect the filter to the power supply
	The filter is burnt out	Contact the seller
	The filter is running dry	Fill the tank with sufficient water and then reconnect the filter to the power supply
	The motor's overheating protection has triggered	Clean the impeller, fill the tank with sufficient water and reconnect the filter to the power supply after waiting 15 minutes
Noise during operation	The filter is running dry	Fill the tank with sufficient water and then reconnect the filter to the power supply
	Blockage in the pump chamber or worn axle	Remove the impeller cover and remove the blockage; replace the impeller and axle
Low water outlet	Dirty filter media	Clean or replace the filter media

7. DISPOSAL

Do not dispose of this product as unsorted municipal waste. Collection of such waste separately for special treatment is necessary. Collecting and recycling waste is a way of saving natural resources. So, please consult with your local seller to make sure the product is disposed of in an environmentally friendly way.



8. CONTACT INFORMATION

E-mail: service@hygger-online.com

Website: www.hygger-online.com