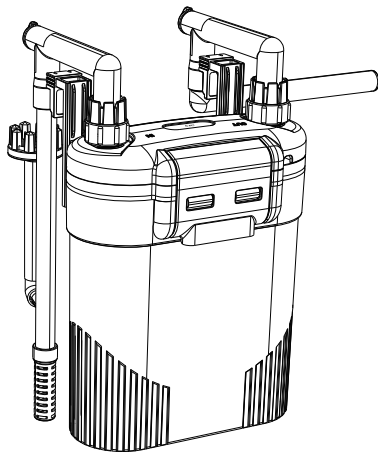




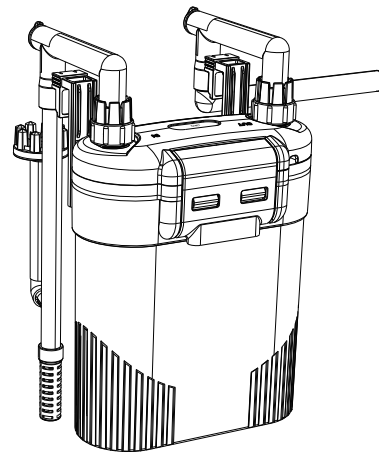
HG108 USER MANUAL

hygger hang-on-back canister filter

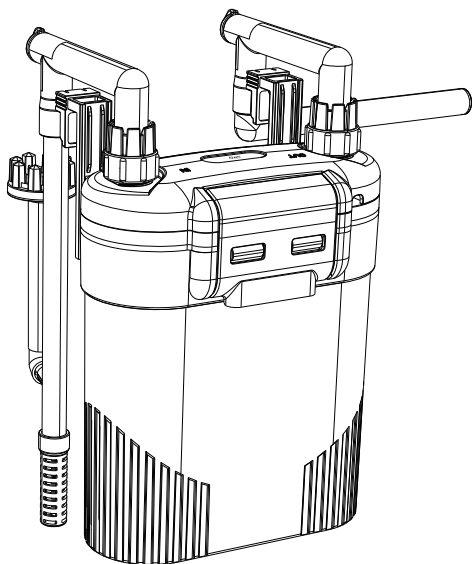
The hygger hang-on-back canister filter is hung over the aquarium glass, which purifies and stabilizes the water quality by utilizing the filter culture media such as biochemical sponge and quartz ceramic pellets inside the filter, thus creating healthy living conditions for the fish and invertebrates in the aquarium.



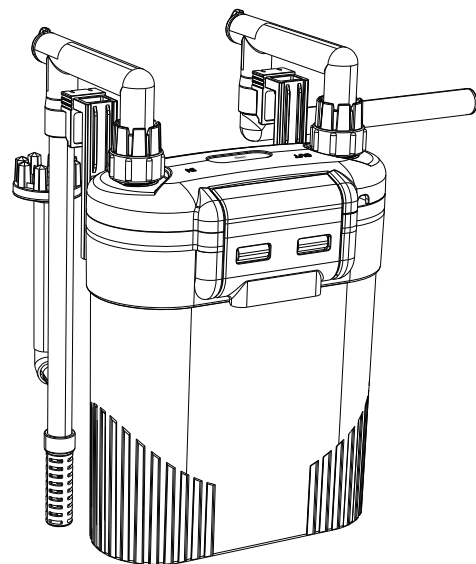
HG108-5W



HG108-6W



HG108-7W



HG108-8W

1. PRODUCT FEATURES

- Quiet operation- Equipped with a vibration-damping support to reduce vibrations during pump operation.
- Oil film remover-Removal of oil film from water surface.
- 8D filter sponge and quartz ceramic pellets effectively filter suspended particles, provide a colonization surface for beneficial bacteria and stabilize the water quality.
- The shower pipe or the rotating nozzle that serves as a water outlet ensures efficient oxygen supply and movement of the water surface, thereby increasing the oxygen in the aquarium water.
- All-copper motor water pump for a longer service life.
- The flow rate can be adjusted at the water inlet and outlet.
- Suitable for aquariums with a glass thickness of up to 0.7inch(18MM).

2. INSTALLATION INSTRUCTIONS

Model	HG108-5W	HG108-6W	HG108-7W	HG108-8W
Power	5W	6W	7W	8W
Volt/Freq	US standard:AC110-120V/60Hz EU/UK /AU standard: AC220-240V/50Hz			
Flow rate	79GPH (300L/H)	100GPH (380L/H)	153GPH (580L/H)	180GPH (680L/H)
Size	5.5"x3.5"x2.6" 14x9x6.5CM	5.5"x3.5"x3.6" 14x9x9.2CM	6.9"x3.7"x8.7" 17.5x9.5x22CM	6.9"x3.7"x9.8" 17.5x9.5x25CM
Recommended aquarium size	≤10 Gal (≤40L)	10~20 Gal (40~75L)	20~40 Gal (75~105L)	40~60 Gal (150~225L)

Model	Filter Accessories List (Standard)		
HG108-5W	1PC Black Sponge	1 Bag of quartz ceramic pellets (around 150g)	1PC 8D Filter Sponge
HG108-6W	1PC Black Sponge	1 Bag of quartz ceramic pellets (around 250g)	1PC 8D Filter Sponge
HG108-7W	1PC Black Sponge	1 Bag of quartz ceramic pellets (around 250g)	2PC 8D Filter Sponge
HG108-8W	1PC Black Sponge	1 Bag of quartz ceramic pellets (around 500g)	2PC 8D Filter Sponge

3. PRODUCT DIAGRAM

Product components

1. L-shaped outlet tube
2. Valve for regulating the water outlet
3. L-shaped connector for the water outlet tube

4. Rotatable water nozzle

5. Shower pipe

6. Filter tank partition

7. Bio-sponge

8. Fixing clamp

9. Catch

10. Union nut for the water outlet

11. Water outlet

12. Water inlet

13. Inlet tube locknut

14. L-shaped inlet tube

15. Valve for regulating the water inlet

16. Filter cover

17. Connector for the water inlet

18. Oil skimmer

19. T-shaped inlet tube

20. Connector for the oil skimmer

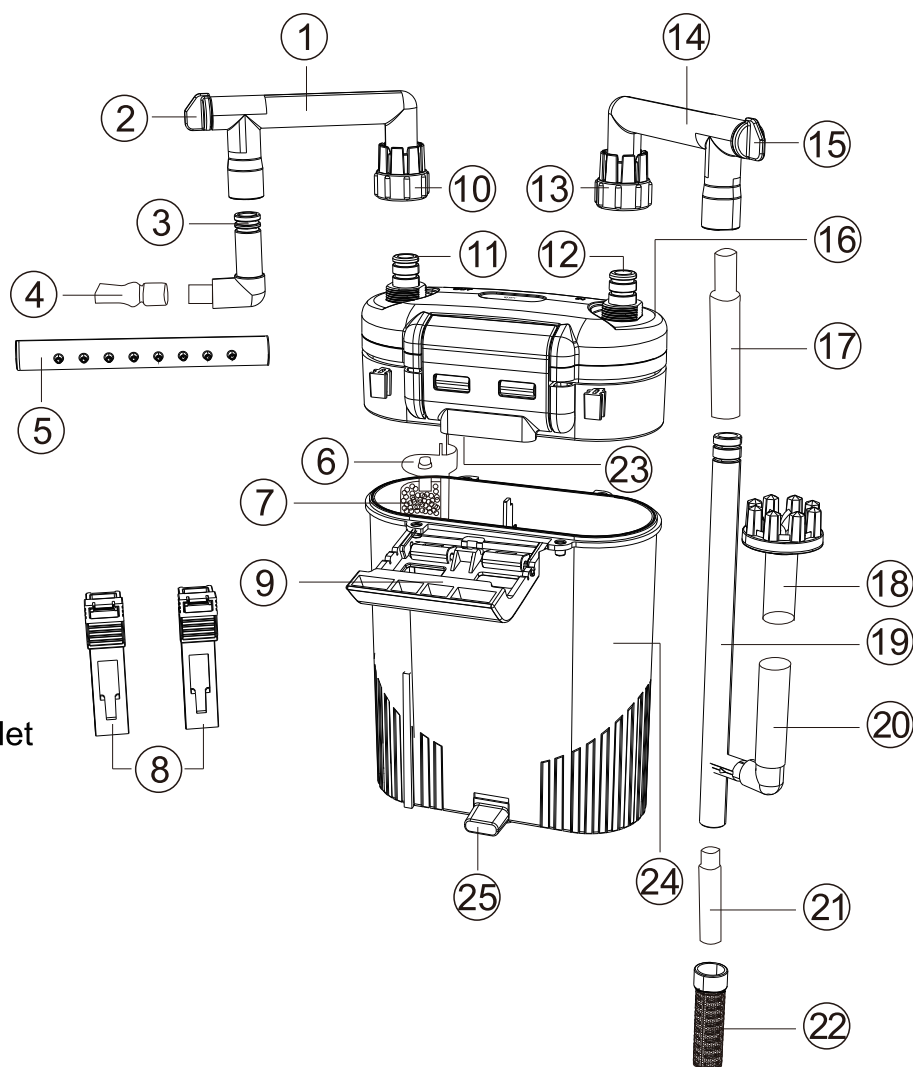
21. Extension pipe for the water inlet

22. Water inlet tube with sponge

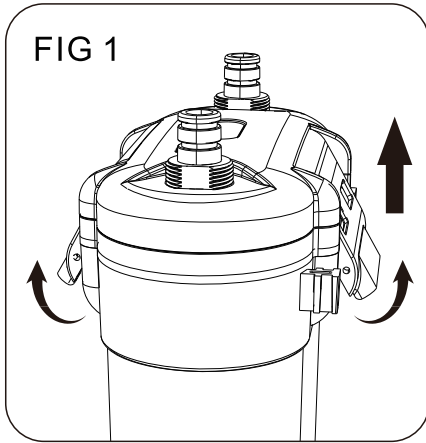
23. Motor

24. Filter bucket

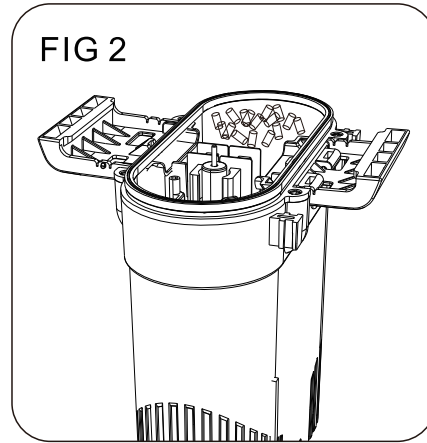
25. Vibration-damping support



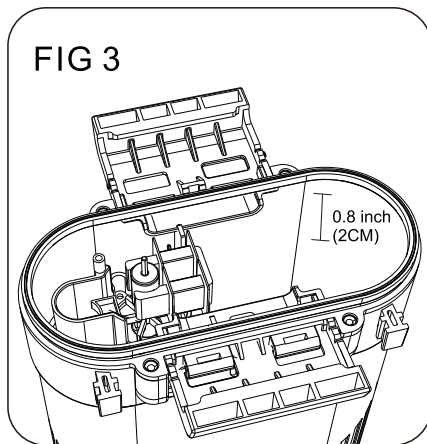
4. INSTALLATION DIAGRAM



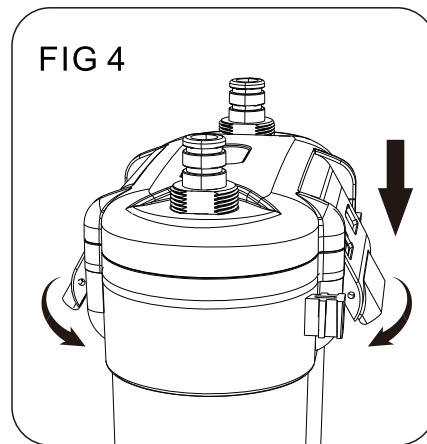
Open both catches in the direction of the arrows to remove the filter cover from the filter housing



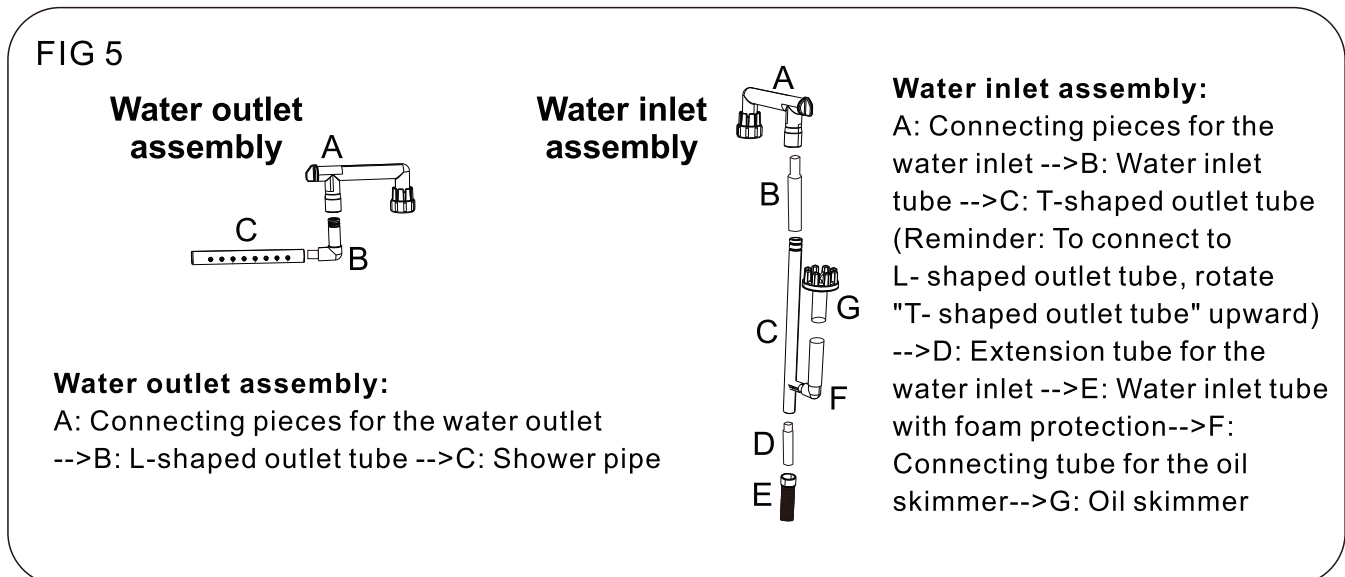
Place filter media in the filter as needed. (Please note: Before adding the filter media, the partition must first be added.)

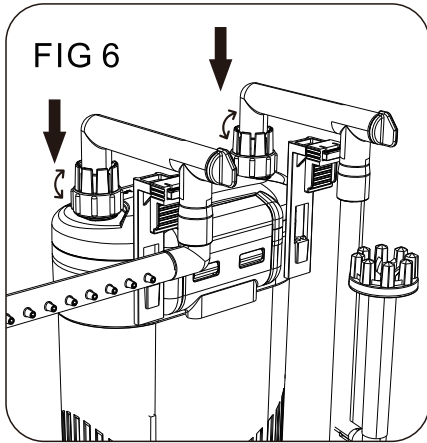


Fill the filter with water level 0.8 inches (2 CM) below the top edge

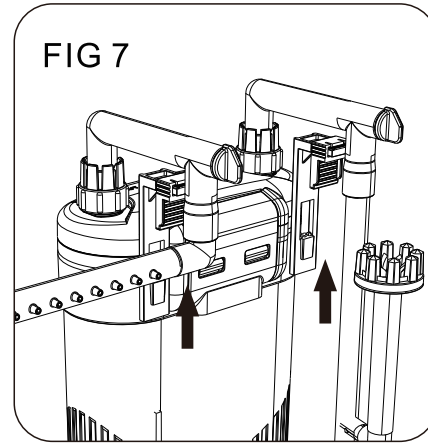


Close the filter cover and push down the catches (if it clicks, the catches are secured)

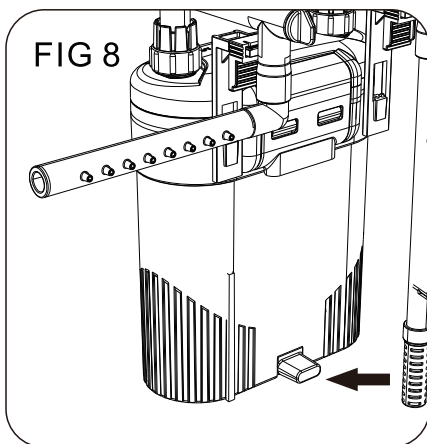




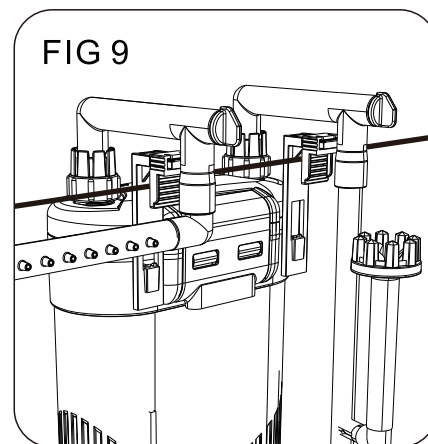
Slide the union nut onto the inlet pipe and tighten it; slide the union nut onto the outlet pipe and tighten it as well



Attach the two fastening clamps to the filter housing



The vibration-damping support dampens possible vibrations during operation



Hang the filter on the outside of the aquarium glass and connect it to the power supply. The mounting clamps can be adjusted to the thickness of the glass. (Please note: The filter tubes and the clamps should not touch each other; please move the clamps accordingly)

Skimmer for surface drainage

When using the oil skimmer for the first time, adjust the length of the water intake pipe so that the oil skimmer head can rotate freely; after a few hours of operation, adjust the water intake using the valve so that the skimmer continues to rotate and do its work.

5. ATTENTIONS

1. Before using the filter for the first time, please check whether the rated voltage and frequency of the filter pump printed on the filter match your operating voltage.
2. The power socket should be above the waterline of the aquarium, in case the user accidentally disassembles the pump caused by the seal ring part of the leakage, water leakage, along the power cord to the socket, leading to leakage accident.
3. Before opening the filter housing, removing the cover or cleaning the filter, disconnect the appliance from the power supply for safety reasons.
4. The mains plug must not get wet. For safety reasons, never touch it with wet hands.
5. We recommend a distance of 0.8inch(2CM) cm between the water level and the top edge of the aquarium. If the water level is higher than 0.8inch(2CM) cm below the edge, it is possible that the filter outlet will not work or will not work sufficiently, especially after a power failure.
6. When starting up the filter, the filter housing must be filled with water so that the pump can start working.

6. TROUBLESHOOTING

Error	Cause	Solution
The pump does not work	No power supply	Connect the power supply
	The impeller is blocked	Clean the impeller and then reconnect the filter to the power supply
	The pump is burnt out	Contact the seller
	The pump is running dry	Fill the housing with water and then reconnect the filter to the power supply
	The motor's overheating protection has triggered	Clean the impeller, fill the filter housing with water and reconnect the filter to the power supply after waiting 15 minutes
Noise during operation	The pump is running dry	Fill the housing with water and then reconnect the filter to the power supply
	Blockage in the pump chamber or worn axle	Remove the impeller cover and remove the blockage; replace the impeller and axle
Low water outlet	Dirty filter media	Clean or replace the filter media

7. DISPOSAL

Do not dispose of this product as unsorted municipal waste. Collection of such waste separately for special treatment is necessary. This product has to be disposed of at an authorized place for the recycling of electrical and electronic appliances rather than being disposed of together with the domestic waste. Collecting and recycling waste is a way of saving natural resources. So, please consult with your local seller to make sure the product is disposed of in an environmentally friendly way.



8. CONTACT INFORMATION

E-mail: service@hygger-online.com

Website: www.hygger-online.com