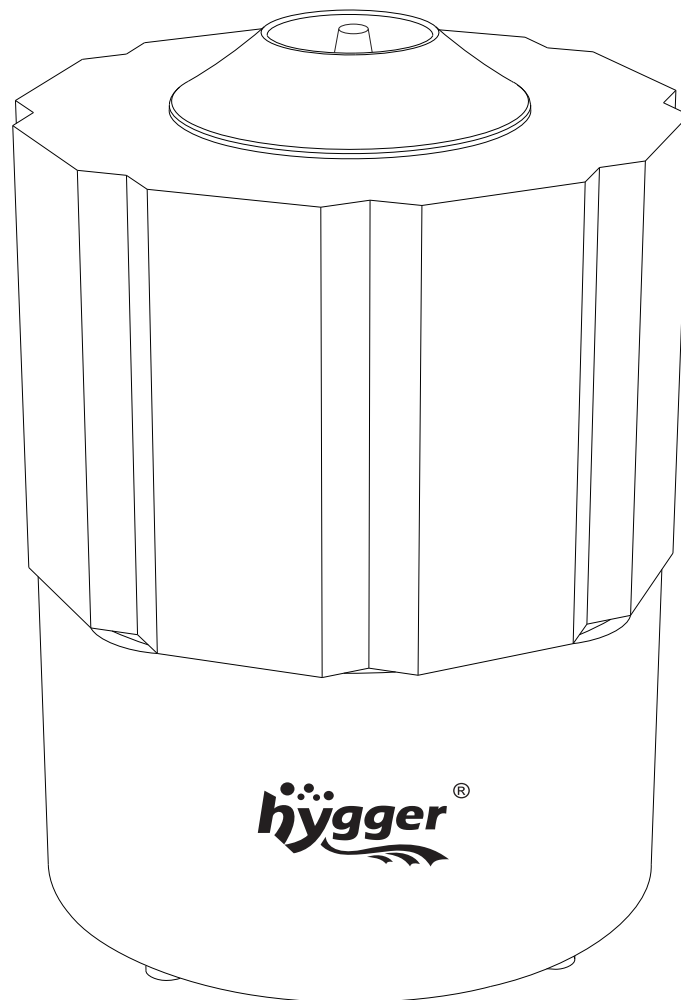




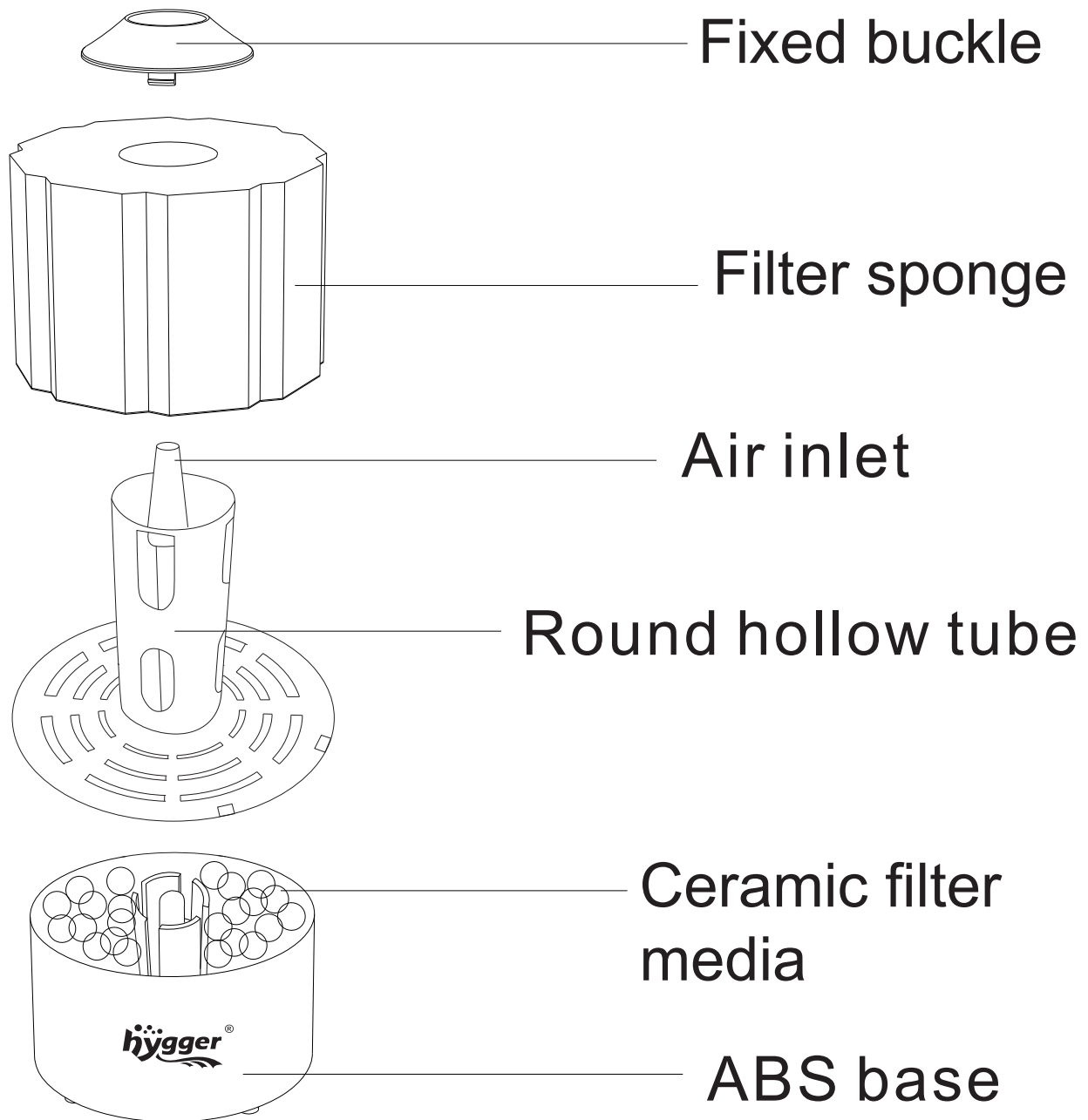
# HG120 USER MANUAL

hýgger aquarium biochemical sponge filter



**ATTENTION:** There are two bio sponges in the filter, please take out one of them and use it as a replacement cotton. Only one sponge is left on the filter. Due to the long transportation time, the sponge may be deformed, please put the sponge in the water for 10-30 minutes to restore the original shape.

# 1. PRODUCT DIAGRAM



## 2. PRODUCT FEATURES

**More efficient and durable:** Super biochemical sponge design and made of premium materials. Sponges means more surface area for

beneficial bacteria filtering and making the aquarium water crystal clear. It also can remove the peculiar smell.

**Mechanical and biological filtration:** Container with ceramic pearls and biochemical sponge. Both are easily replaceable.

**Increase dissolved oxygen and cultivate beneficial bacteria:** Ceramic pearls filtration media will remove harmful substance and increase dissolved oxygen.

**Properly increase oxygen levels:** Air stones can produce fine bubbles for oxygen replacement to add oxygen and circulate nutrition to your hydroponic growing system. It creates a circle of bubbles that helps keep healthy fish and adds to the beauty of the aquarium.

**Easy to set up and clean:** It is easy to install this sponge filter and easy to clean all parts of sponge and ceramic pearls. You can also replace the ceramic pearls with other bio filter media.

**Suitable for shrimp, betta, tropical fish, planted tanks or others**

### 3.PRODUCT SPECIFICATIONS

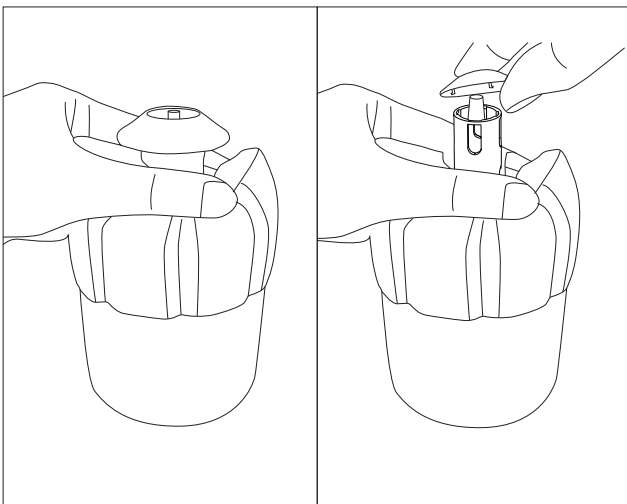
Model	HG120-S	HG120-M	HG120-L
Product size	Φ2.9*4.4in/ Φ7.3*11.2cm	Φ2.9*6.5in/ Φ7.3*16.5cm	Φ3.94*7in/ Φ10*17.7cm
Applicable aquarium depth	below 15.8in/40cm	below 19.7in/50cm	below 26.4in/67cm
Material	ABS+PVC+filter cotton+bio ceramic media		

## 4. PACKAGE INCLUDED

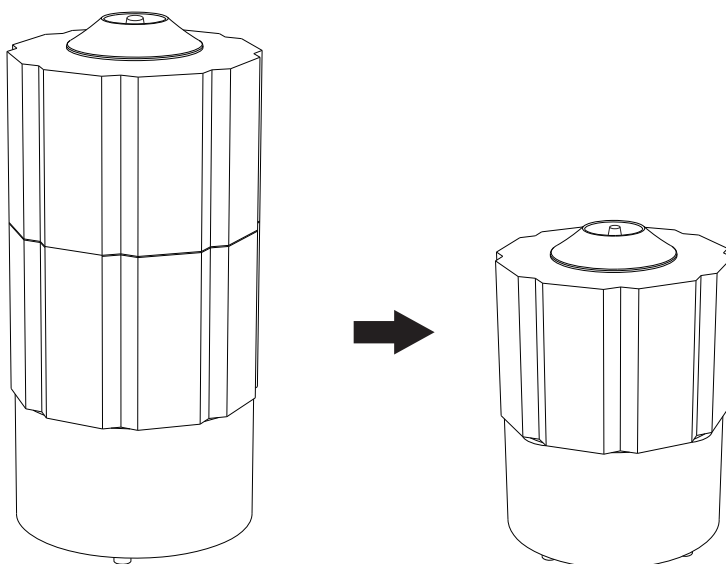
- 1\* Filter with media container
- 1\* Spare sponge
- 1\* User manual

## 5. METHOD OF APPLICATION

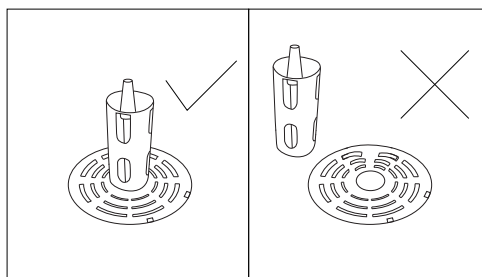
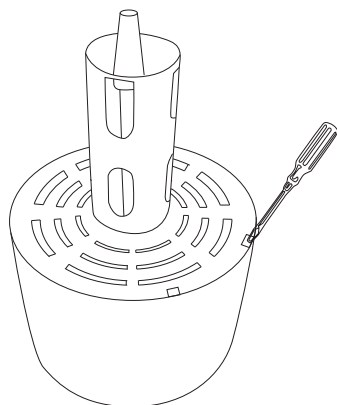
**Step1.** Press the sponge down with your fingers, and then lift the cover.



**Step2.** Two bio sponges are pre-installed in the filter. To use, please remove one.

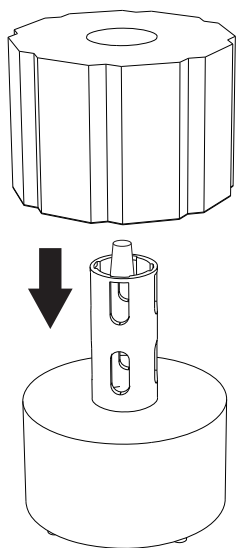


**Step3.** Remove the sponge. Note: The round hollow tube and bulkheads are one piece; do not separate them to avoid damage.

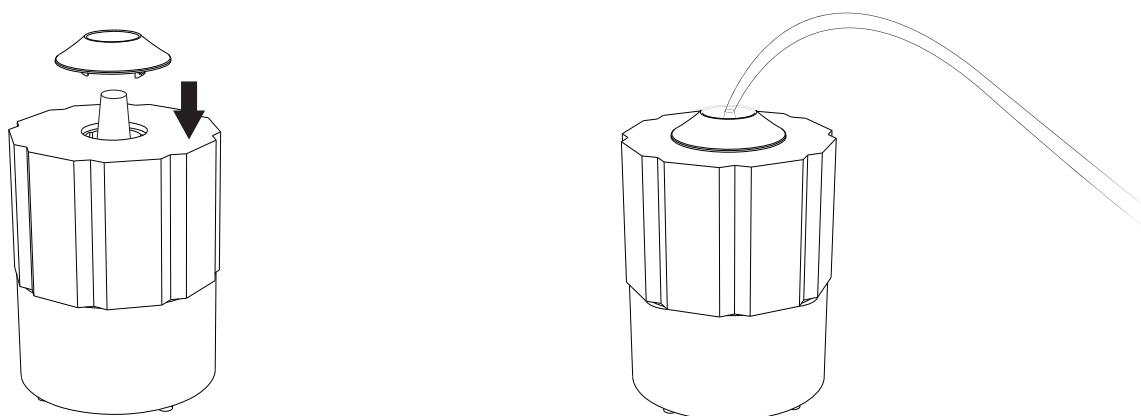


Please do not pull out the round hollow tube

**Step4.** Cover the bulkhead, and install the sponge.



**Step5.** Put on the top cover, connect the oxygen pipe to the intake pipe in the middle and the filter is ready to use.



## **6.WARNING**

- a. Don't use tap water or hot water to clean the biochemical sponge filter.
- b. Make sure cleaning the filter with tank water.
- c. Make sure the sponge filter is on vertically, otherwise the pipe will be blocked by the ceramic pearls.
- d. Clean the filter with tank water every 2 ~ 4 weeks.
- e. We recommend replacing the sponge and ceramic pearls every 5 ~ 6 months.

## **7.CONTACT INFORMATION**

E-mail: [service@hygger-online.com](mailto:service@hygger-online.com)

Website: [www.hygger-online.com](http://www.hygger-online.com)