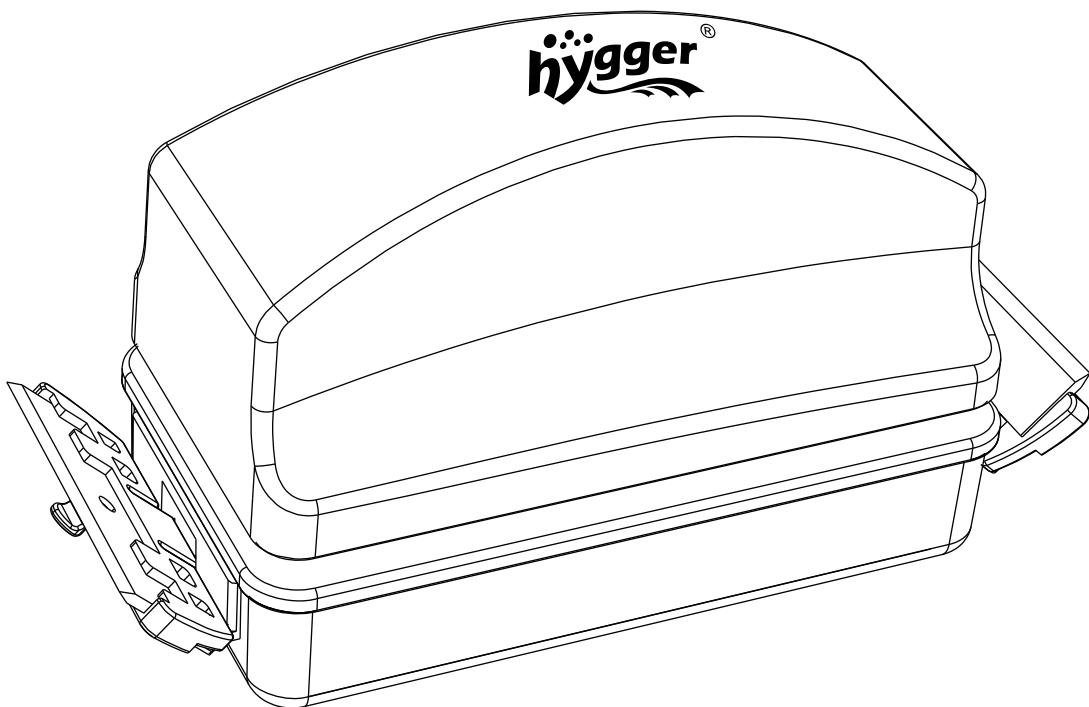




HG124 USER MANUAL

hygger dual blade magnetic glass cleaner



hygger Magnetic Aquarium Glass Cleaner can be used as a scrubber and scraper to clean the glass in freshwater and saltwater aquariums. Please read this user manual carefully before use and follow it strictly.

WARNING

Be careful not to pinch your fingers between the two parts of the glass cleaner.

1. PACKING LIST

1x Cleaning side with stiff bristles

1x Soft cleaning side

4x Plastic blade

1x User manual

2. PRODUCT FEATURES

Super Strong Magnetic Power: The Magnetic Aquarium Glass Cleaner contains a high-quality neodymium magnet with exceptionally high holding power, holding the glass cleaner securely and firmly to the aquarium.

Multifunctional Glass Cleaner: The glass cleaner can be used as a scrubber or scraper. The black surface with stiff bristles protects against scratches and is suitable for removing algae and stubborn dirt from the aquarium glass.

Dual Removable Blades: The glass cleaner is equipped with two blades. The blades are plastic and can handle crusty algae and other stubborn dirt. These blades are safe for tanks and users.

Minimalist Appearance: The strong magnet and ergonomic handle design allow easy and comfortable cleaning with the glass cleaner.

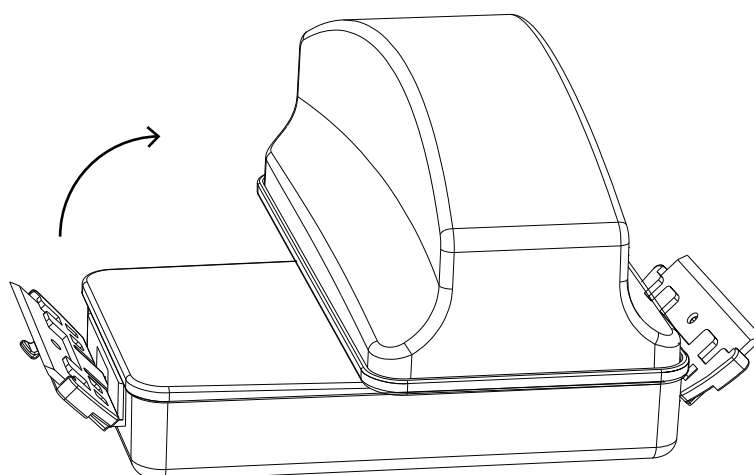
Float-up Design: When the soft side is removed from the aquarium glass, the part of the glass cleaner in the aquarium floats to the water's surface. This allows you to remove it without getting your hands wet or disturbing fish or aquatic plants.

3. PRODUCT SPECIFICATIONS

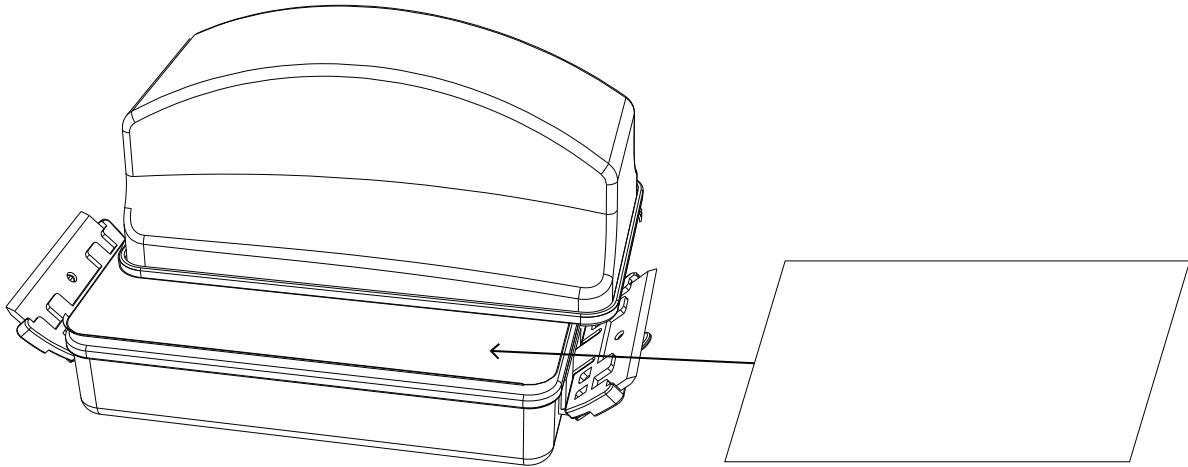
Model	Size	Glass Thickness
HG124-S	10.7*3.8*6.8 cm (4.3*1.5*2.7 inches)	≤6 cm (≤0.25 inches)
HG124-M	13.6*5*7.3 cm (5.4*2*2.9 inches)	6-12 cm (0.25-0.5 inches)
HG124-L	15.1*6.2*7.7 cm (5.9*2.4*3 inches)	12-20 cm (0.5-0.8 inches)

4. METHOD OF APPLICATION

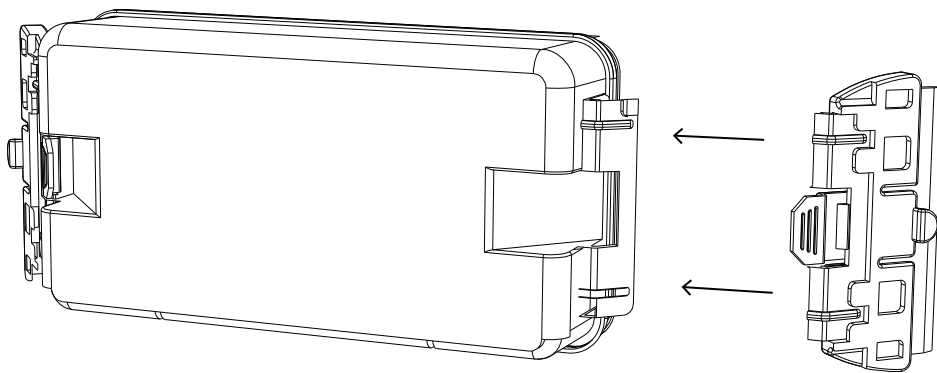
- Take the cleaner out of the package and turn the upper part 90° to separate the two parts. Then, hold the part with the stiff bristles against the aquarium glass from the inside and place the part with the soft surface against it from the outside.



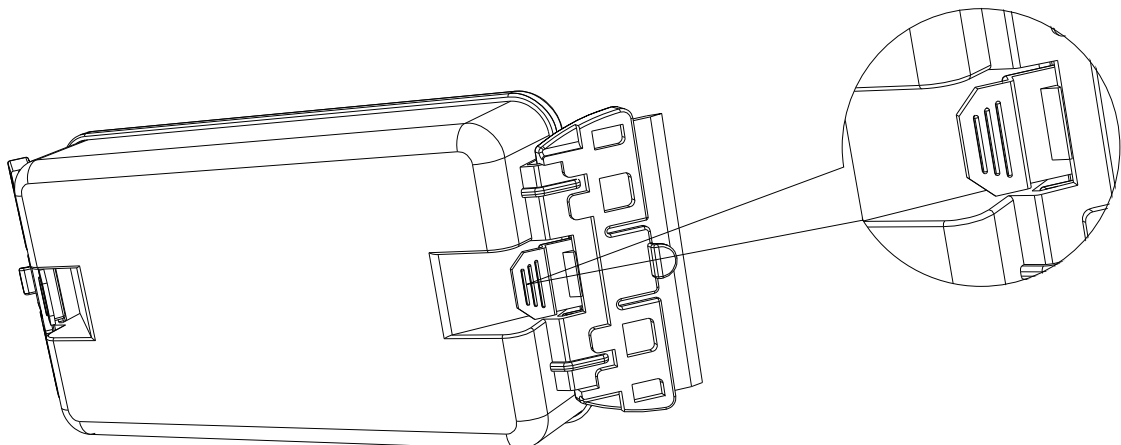
- Important reminder: When you put both parts together outside the aquarium, always put a piece of thin cardboard between them. Because of the powerful magnetic force, this makes it easy to separate the two parts again later.



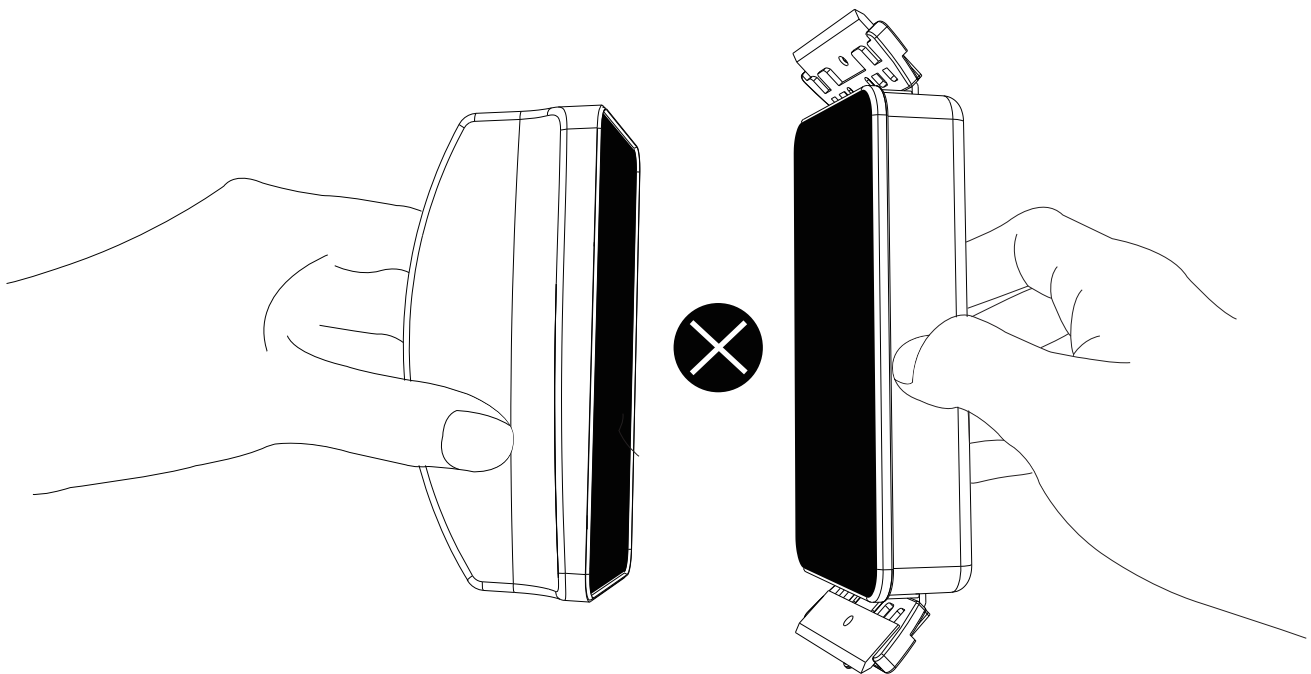
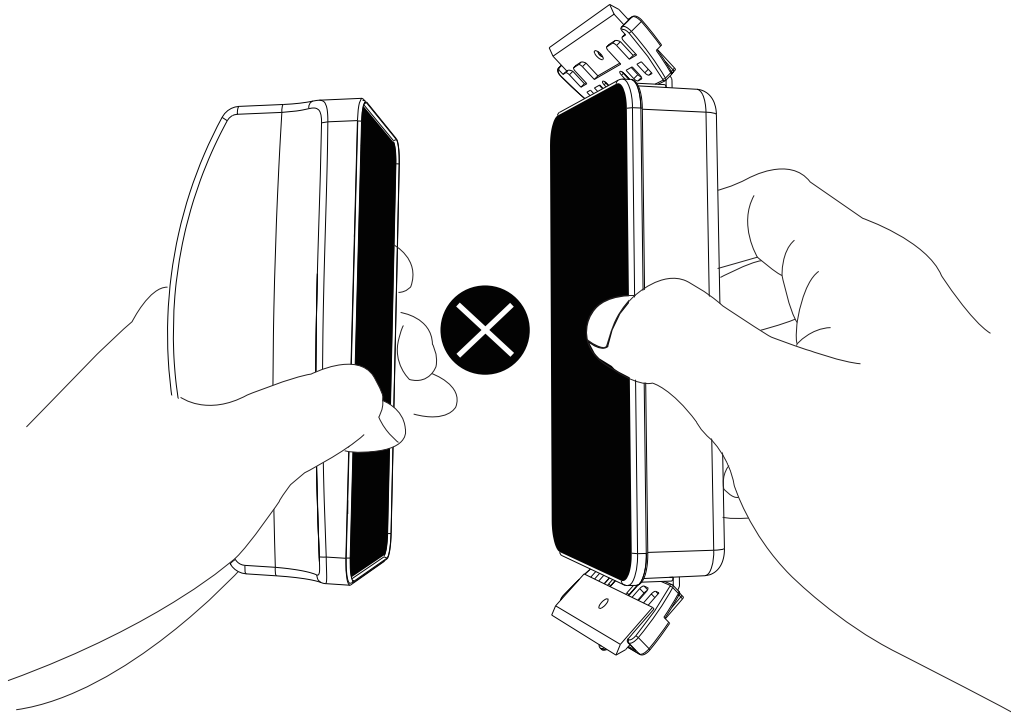
- Follow the instructions below to assemble the blade. Before use, insert the blade into the designated slot on the glass cleaner.

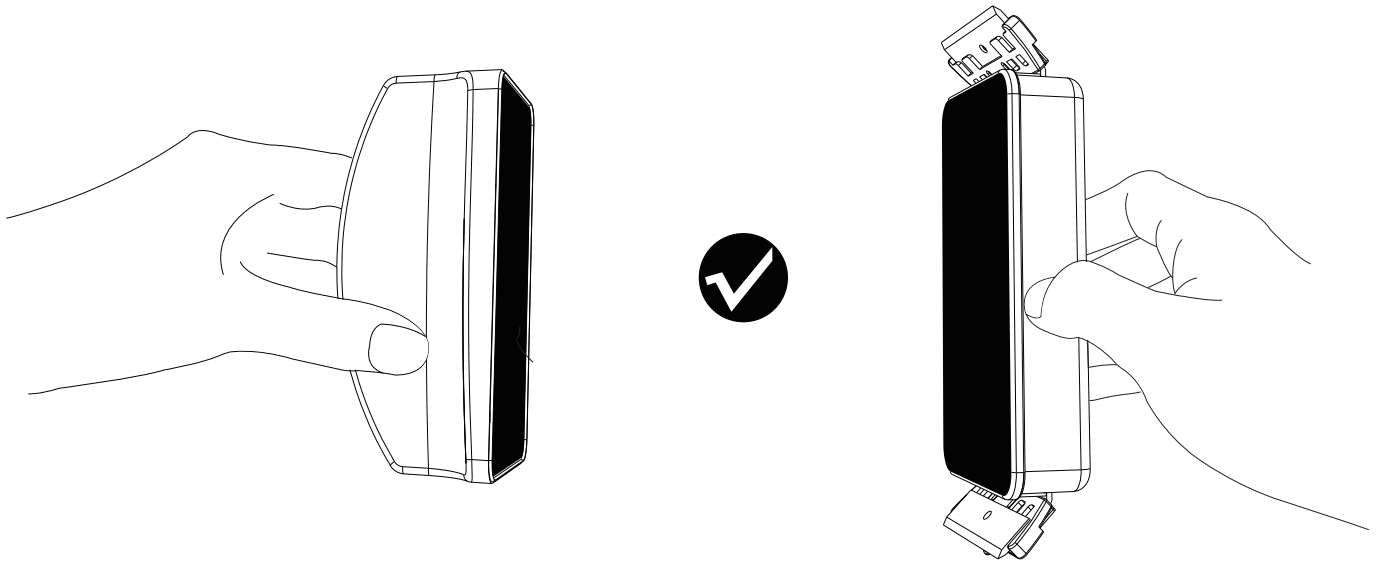


- Remove the blade from the cleaner after use.

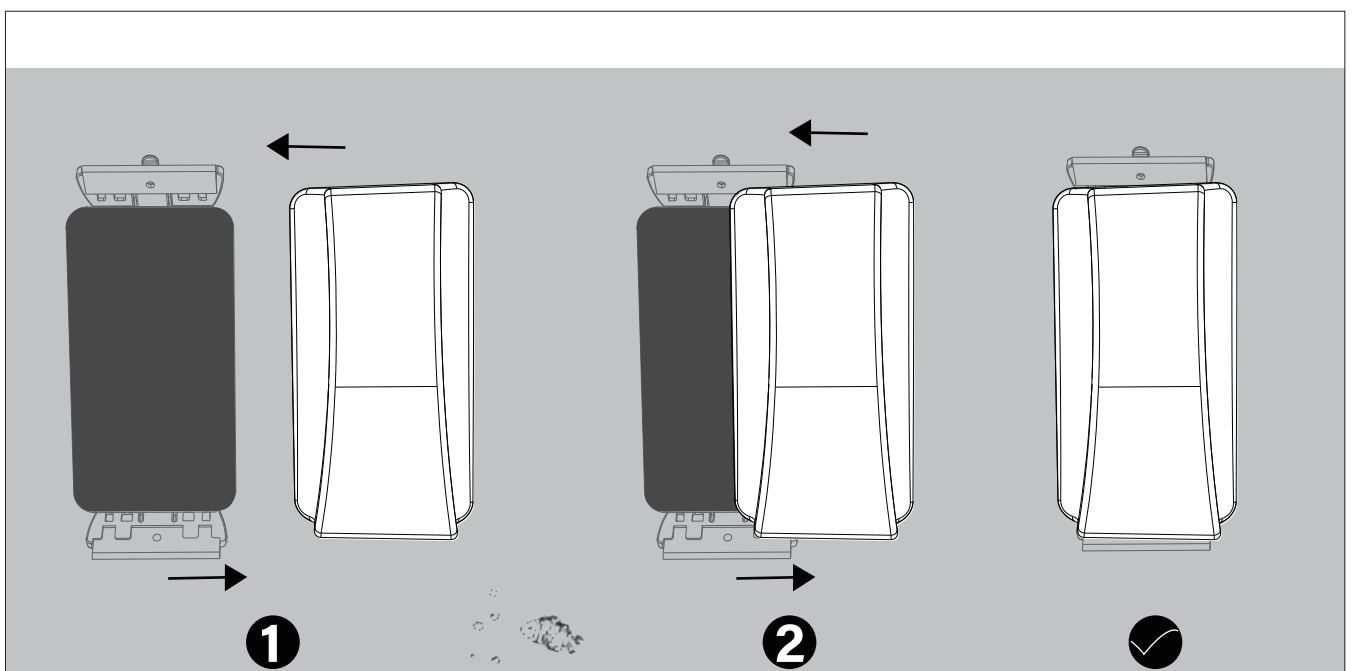


- Be careful not to pinch your fingers between the two parts of the glass cleaner. Hold the cleaner at the side and keep your fingers away from the two surfaces facing the glass.





- To attach the cleaner to the aquarium glass, first hold the part with the stiff cleaning bristles against the inside and the part with the soft surface against it, offset a little. (Hold both parts firmly so the glass is not accidentally damaged). Then, carefully push both parts together slowly until the magnet grips. Then you can start with the cleaning work.



- For optimal cleaning results, clean the surfaces after each use.

5. ATTENTIONS

- Please read this user manual carefully before use and follow the manual.
- Use caution when attaching and removing the sharp blades and store them in a safe place.
- Use caution when using this powerful magnetic glass cleaner, and be careful not to pinch your fingers between the two parts.
- Please keep the magnetic glass cleaner away from children.
- The magnetic glass cleaner is unsuitable if you wear a pacemaker or have a defibrillator implanted.
- If you forgot to insert the cardboard between the parts for storage, use a screwdriver or similar to separate them.
- To avoid reducing the magnetic force, do not expose the magnetic glass cleaner to high temperatures.
- Please keep away from all magnetic objects, such as scissors, etc.

6. CONTACT INFORMATION

E-mail: service@hygger-online.com

Website: www.hygger-online.com