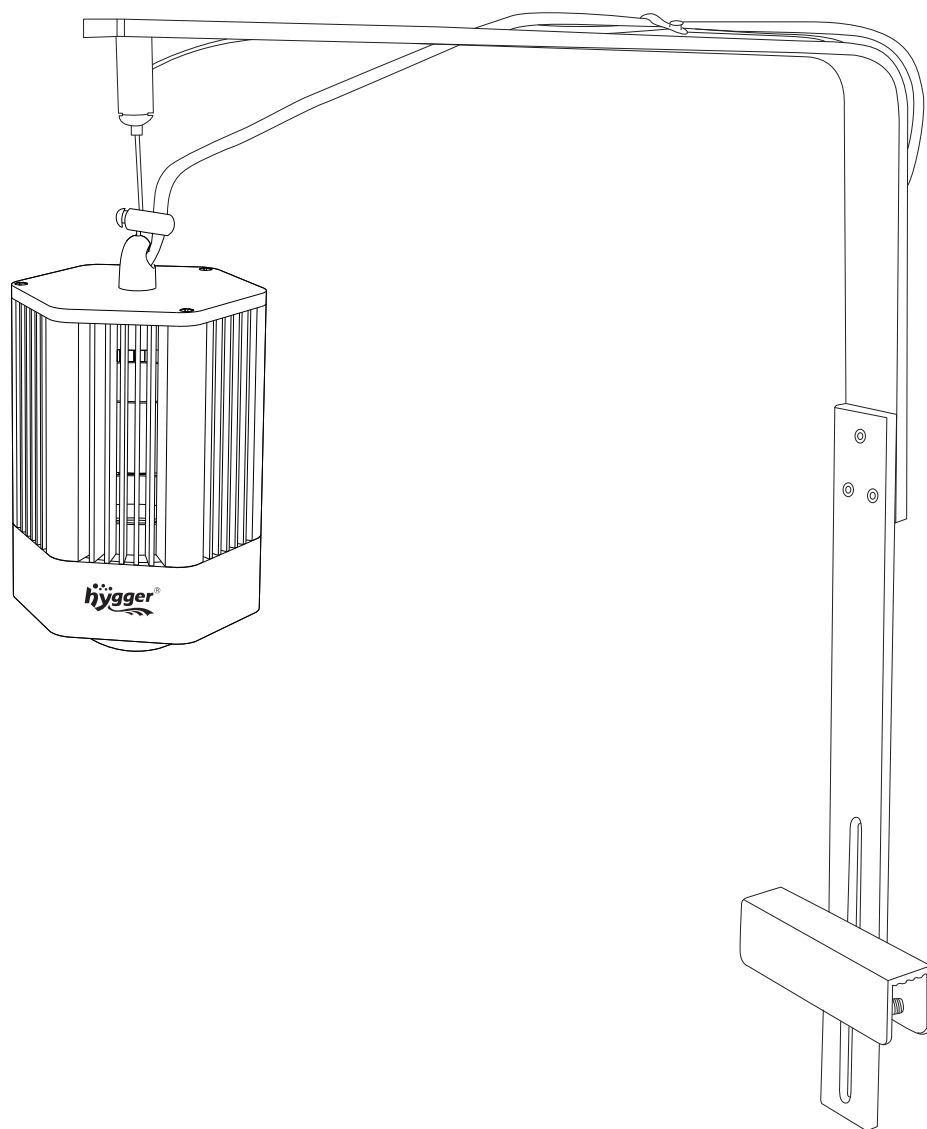




HG132 hygger Max Pro Plant Light User Manual



HG132 hygger Max Pro Plant Light is an ideal lighting for growing most demanding aquatic plants, such as popular low light plants java fern, mid-to high light demanding carpeting plants, red plants, stem plants and crypt plants.

Please read this manual carefully before use and follow the instructions carefully.

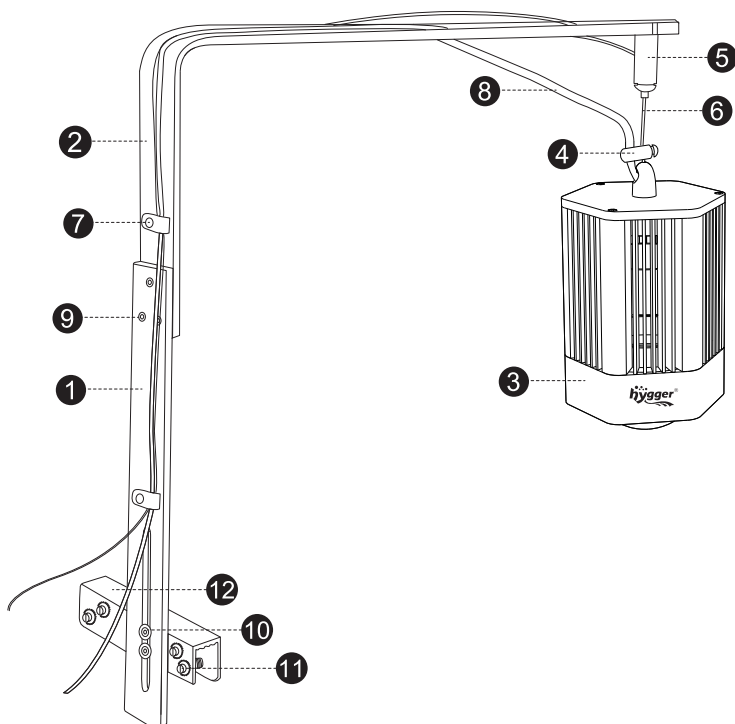
1. PRODUCT FEATURES

- ① Solid, high-quality alloy aluminum shell improves heat dissipation and slows down light decay, ensuring a longer service life.
- ② The 90° crystal COB lens generates light beams that penetrate deep into the aquarium water and make the water clearer and brighter.
- ③ Our Pro Planted Aquarium Light is equipped with a COB (chip on board) LED chip which is composed of RGB that provides three kinds of light- red light, green light and blue light, covering almost all the spectrum plants needed for photosynthesis, promoting plants growth, increasing pearling effect and bring out the color of plants and fish.
- ④ Copper-clad ceramic plate has good thermal conductivity, insulation, corrosion resistance and stability.
- ⑤ Suitable for planted aquariums and freshwater tanks.

2. PRODUCT PARAMETERS

Model	HG132-60W	HG132-100W
Light size(without bracket)	95MM(W) x 126MM(H)	
Power	60W	100W
RGB light quantity	60PCS	100PCS
Main wavelength	$\lambda_d=481.04\text{nm}$	$\lambda_d=482.07\text{nm}$
Peak wavelength	$\lambda_p=634.2\text{ nm}$	$\lambda_p=637.8\text{nm}$
Luminous flux	2271lm	3011lm
Color	Red: 24PCS Green: 24PCS Blue: 12PCS	Red: 40PCS Green: 40PCS Blue: 20PCS
Power input	AC100-240V /50-60Hz	
Power output	DC 24V	
LED working hours	Over 50,000hrs	
Recommended tank size	40-60CM (square tank)	

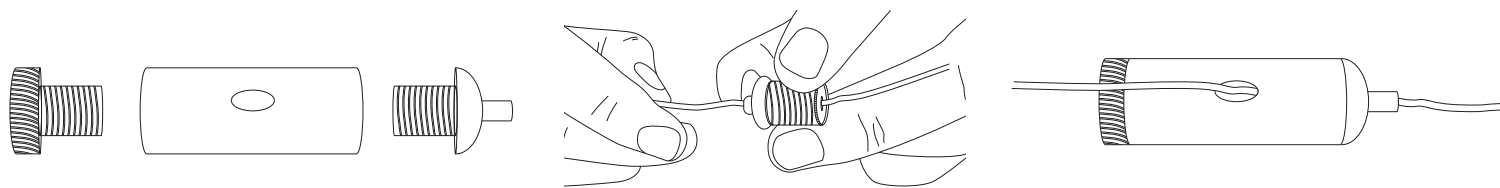
3. PRODUCT COMPONENTS



- ① Adjustable height arm bracket
- ② Adjustable width arm bracket
- ③ Light head
- ④ Double-hole line lock
- ⑤ Large single-hole line lock
- ⑥ Steel suspension wire
- ⑦ Three-piece wire nail
- ⑧ Wire
- ⑨ Three-piece large hexagonal head screws
- ⑩ Two-piece small hexagonal head screws
- ⑪ Plastic screw
- ⑫ Light clamp

4. INSTALLATION INSTRUCTION

- Open the package and take out the accessories
- Connect the adjustable height arm bracket ① to the adjustable width arm bracket ② using the large hexagon head screws ⑨ and tighten the screws with the appropriate wrench.
- Take the single-hole line lock ⑤ out of the package. The installation is shown in the diagram below.



Step 1: Unscrew the bottom cover of the single-hole line lock.

Step 2: Press the single-hole line lock down by hand (note: press to adjust the height of the wire) and then insert the wire into the corresponding hole.

Step 3: Screw the wire into the single-hole line lock.

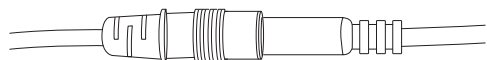
Step 4: Unscrew the cover on the other side of the single-hole line lock and insert it into the groove of the adjustable width arm bracket ②.

Step 5: Pass the wire through the adjustable width arm bracket ② and secure it with the three-piece wire nail ⑦ . Tighten the screws.

Step 6: Attach the 4 screws to the light clamp ⑫ .

Step 7: Now connect the adjustable height arm bracket ① to the light clamp ⑫ using small hexagon head screws ⑩ .

Step 8: Now connect the light to the power supply, plug in and turn the light on using the switch.



5. WARNING

To avoid possible electrical shock, do not immerse the switch in water. If the switch falls into the water or otherwise becomes wet, do not touch it until you have unplugged it. Basic safety precautions should be observed including the following:

1. Read and follow this user manual strictly.

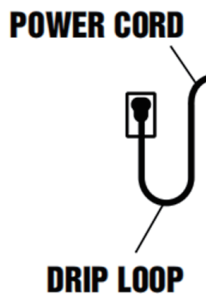
2. DANGER-To avoid possible electric shock, special care should be taken. For each of the following situations, do not attempt to repair yourself; return the light to an authorized service facility for service or discard the light.

A. Carefully examine the light after installation. It should not be plugged in if there is water on parts not intended to be wet.

B. Do not operate the light if it has a damaged cord or plug, if it is malfunctioning or if it is dropped or damaged in any manner. The power cord of this light cannot be replaced, if the cord is damaged, the light should be discarded.

C. To avoid the possibility of the light plug getting wet, position the aquarium stand and tank to one side of a wall-mounted receptacle to prevent water from dripping onto the receptacle or plug. A “drip loop”, shown in the figure below, should be arranged by the user for each cord connecting the light to the receptacle. The “drip loop” is the part of the cord below the level of the receptacle or the connector. If an extension cord is used, to prevent water from traveling along the cord and coming in contact with the

receptacle. If the plug or receptacle does get wet, DO NOT unplug the cord. Disconnect the fuse to the circuit breaker that supplies power to the light. Then unplug and examine for the presence of water in the receptacle.



3. Close supervision is necessary when the light is used near children.
4. To avoid injury, do not touch moving or hot parts.
5. Make sure the light is securely installed before operating it.
6. Read and observe all the important notices on the light.
7. If an extension cord is necessary, a cord with a proper rating should be used. A cord rated for less amperes or watts than the appliance rating may overheat. Care should be taken to arrange the cord so that it will not be tripped over or pulled.
8. The light is intended FOR HOUSEHOLD USE ONLY.
9. SAVE THIS USER MANUAL.

6. DISPOSAL

Do not dispose of this product as unsorted municipal waste. Collection of such waste separately for special treatment is necessary. This product has to be disposed of at an authorized place for the recycling of electrical and electronic appliances rather than being disposed of together with the domestic waste. Collecting and recycling waste is a way of saving natural resources. So, please consult with your local seller to make sure the product is disposed of in an environmentally friendly way.

7. PACKING LIST

Accessories Included(Standard)		
Model	HG132-60W	HG132-100W
Adjustable height arm bracket	1	1
Adjustable width arm bracket	1	1
Light head	1	1
Double-hole line lock	1	1
Large single-hole line lock	1	1
Steel suspension wire	1	1
Wire nail	3	3
Wire	1	1
Large hexagonal head screw	3	3
Small hexagonal head screw	3	3
Plastic screw	4	4
Light clamp	1	1
Power adapter	1	1
User manual	1	1

8. CONTACT INFORMATION

E-mail: service@hygger-online.com

Website: www.hygger-online.com