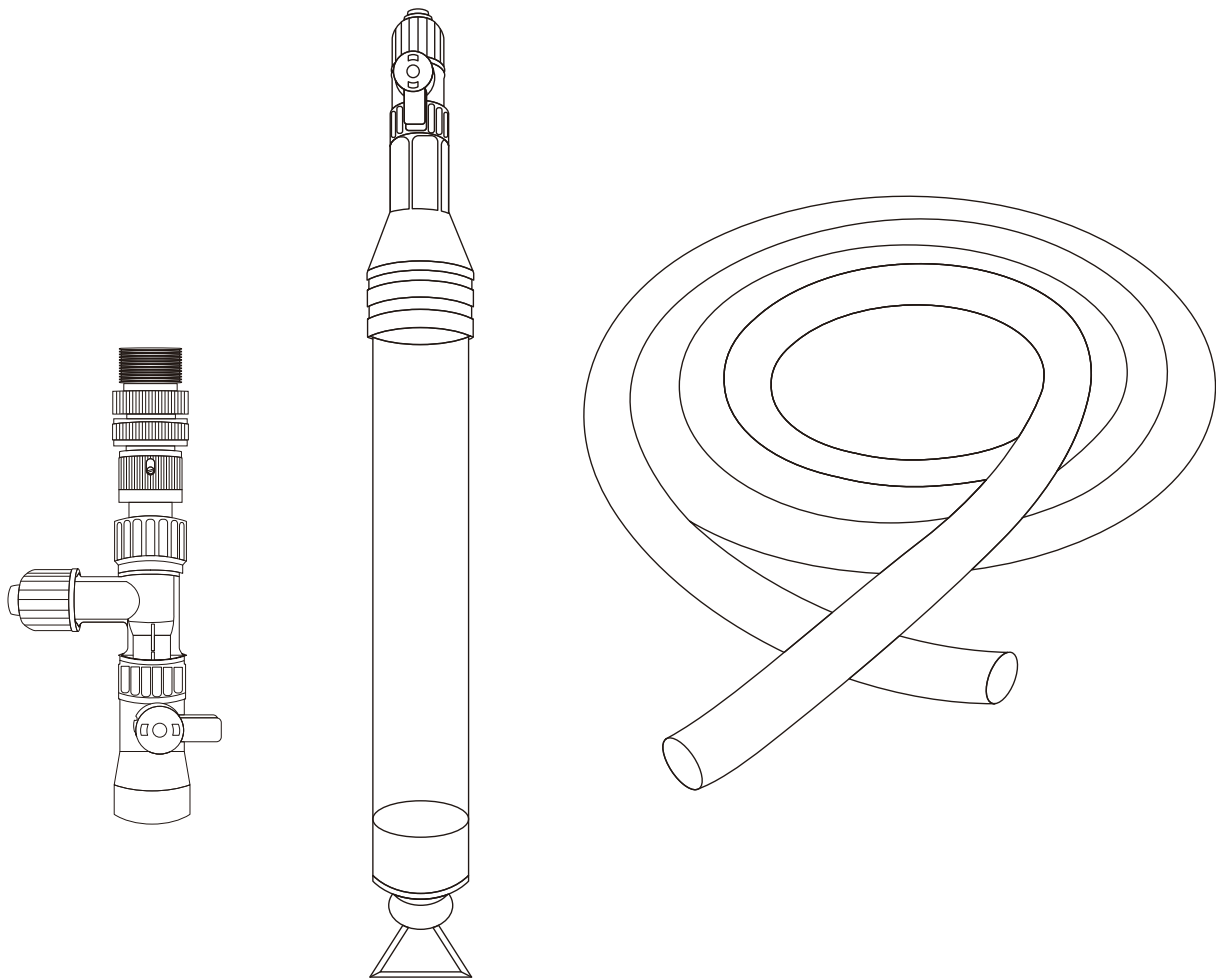




HG-966 USER MANUAL

Hygger Auto Aquarium Gravel Cleaner



Hygger Aquarium Auto Gravel Cleaner is a versatile tool to clean gravel and change water. It's never been easier to clean hidden detritus in the sand or floating in the water column. Ideal for gravel cleaning and water changing, it helps you provide best environment for your aquatic life.

Please read this user manual carefully before using and follow strictly in accordance with the manual.

1.PRODUCT FEATURES

Multi-function : This gravel cleaner can be used for water changes, sand washing and detritus absorption. It uses a multi-connection faucet adaptor to connect directly to your faucet, thereby eliminating spills and lifting heavy buckets.

Prevent blocking Design: Our gravel cleaner comes with a built-in internal filter screen that effectively blocks gravel from being suctioned out of the aquarium while still removing harmful detritus.

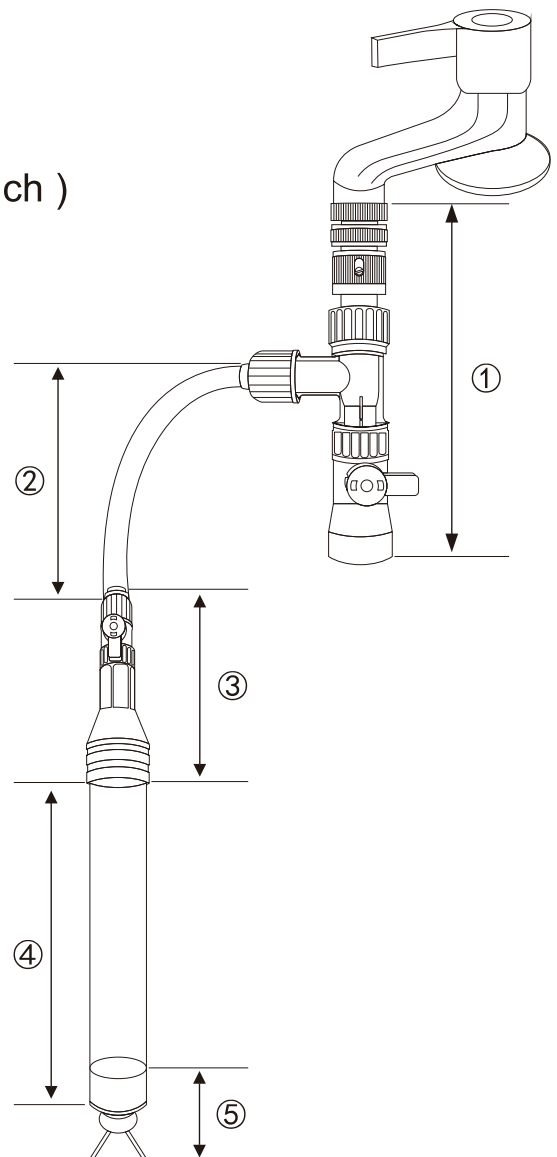
Control water flow: Waterflow control valve can be used for adjusting water flow.

Long outlet hose design: We have 25 feet, 33 feet and 49 feet long suction hose to meet the need of varied distance from faucet to aquarium.

Easy to assemble and use: Quick assembly within one minute.

2.ATTACHMENT INSTRUCTIONS:

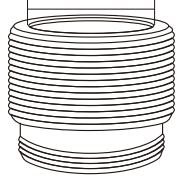
- ①. Multi-connection faucet adaptor (7.8inch)
- ②. Hose (25FT/33FT/49FT)
- ③. Waterflow control valve (6 inch)
- ④. Gravel tube (13 inch)
- ⑤. Detritus Vacuum (3 inch)



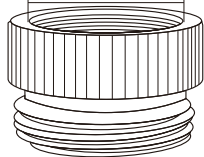
Install multi-connection faucet adaptor

Thread size

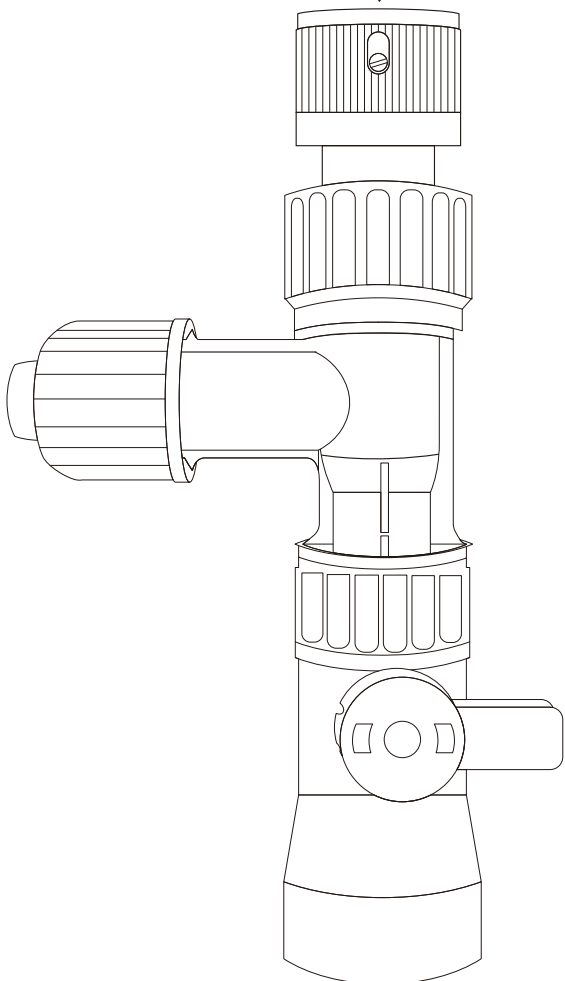
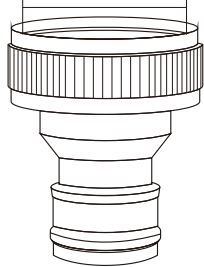
15/16-27UNS



M21



3/4-11.5 NT



Multi-connection faucet adaptor dimension

External thread match 15/16 internal thread faucet

P.S 15/16-27UNS thread diameter: large diameter :23.8 mm

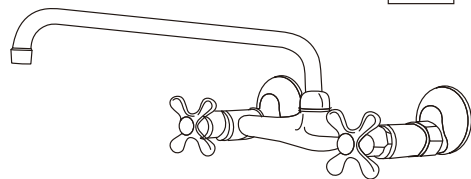
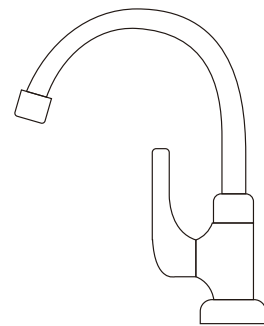
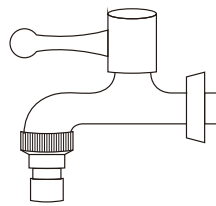
Internal thread match M21 external thread faucet

P.S M21 thread diameter: large diameter : 21 mm

Internal thread match 3/4 external thread faucet

P.S 3/4 thread diameter: large diameter : 26.4mm

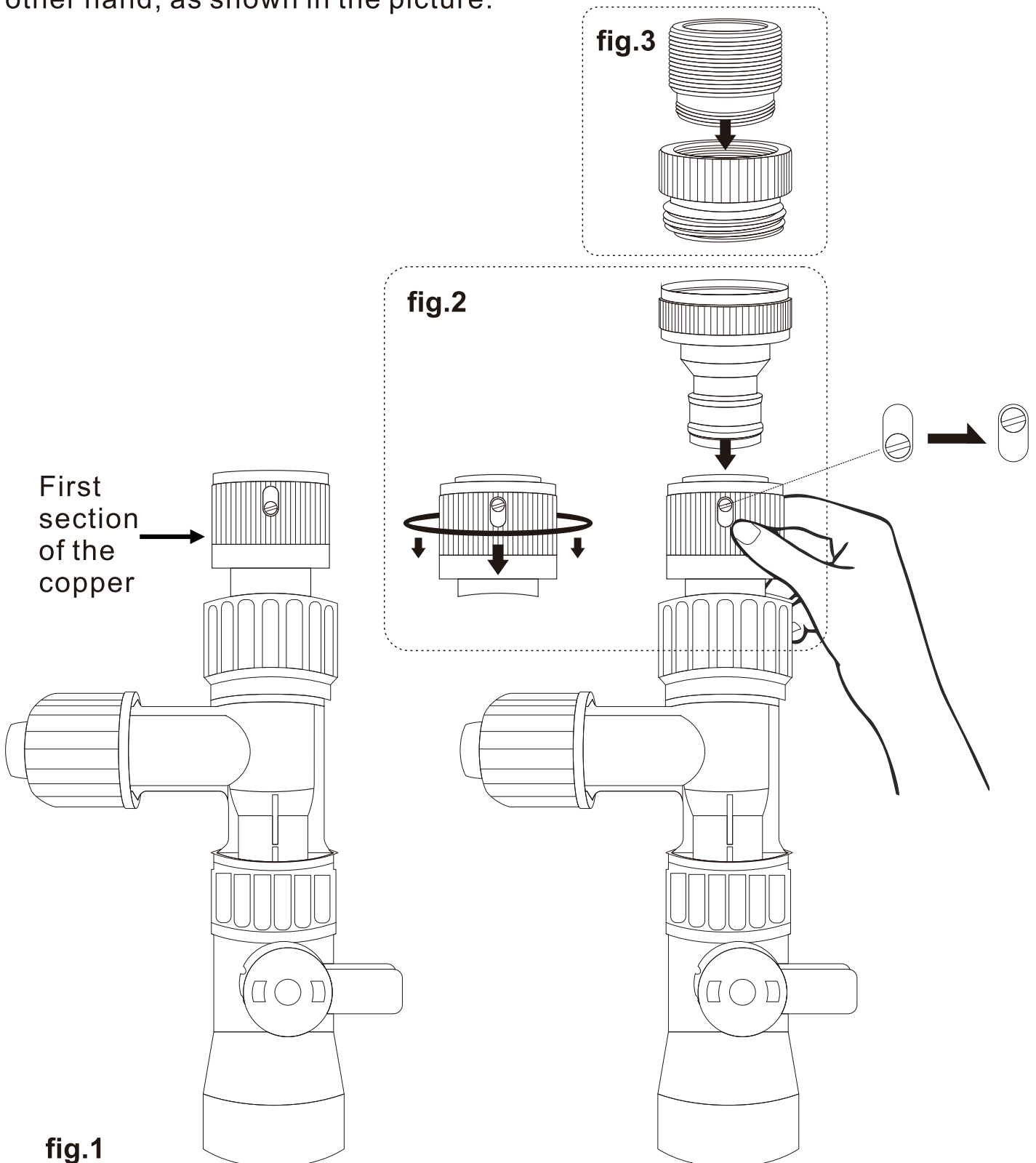
suitable for most faucet



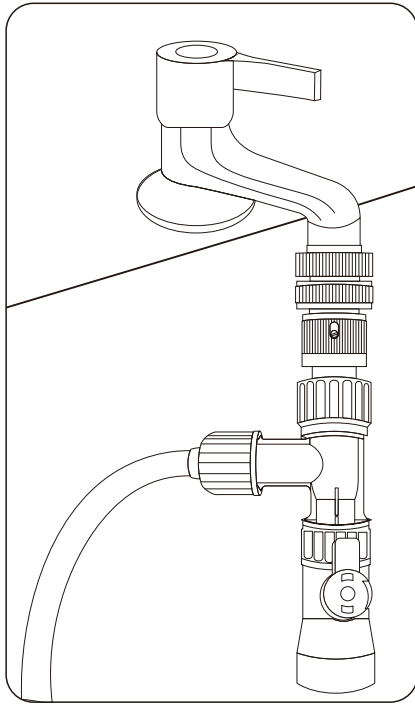
2. Install Multi-connection faucet

- Join the first section of the copper to the plastic multi-connection faucet(fig.1)
- Connect quick release coupling to the first section of the copper(fig.2)
- Choose the right connector to fit your faucet. Available in the above three sizes.(fig.3)

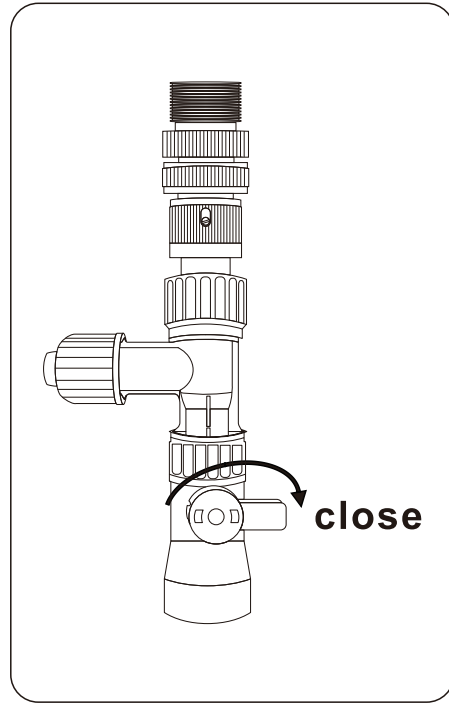
P.S Take out the Multi-connection faucet by the following method: Press the first copper connector towards the faucet joint with forefinger and thumb of one hand, and pull out the quick release coupling with the other hand, as shown in the picture.



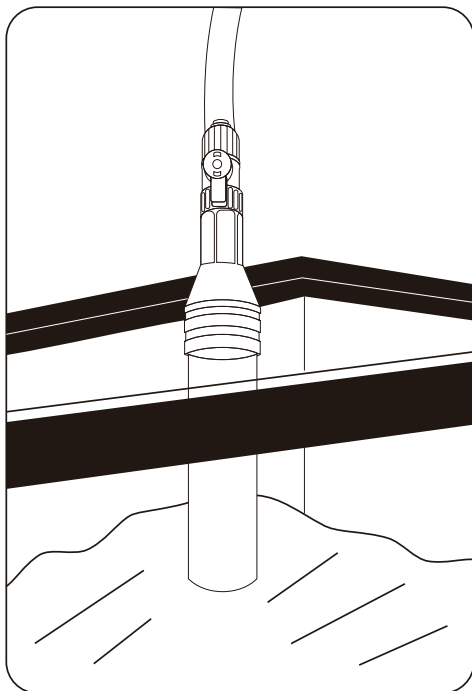
3. INSTALLATION:



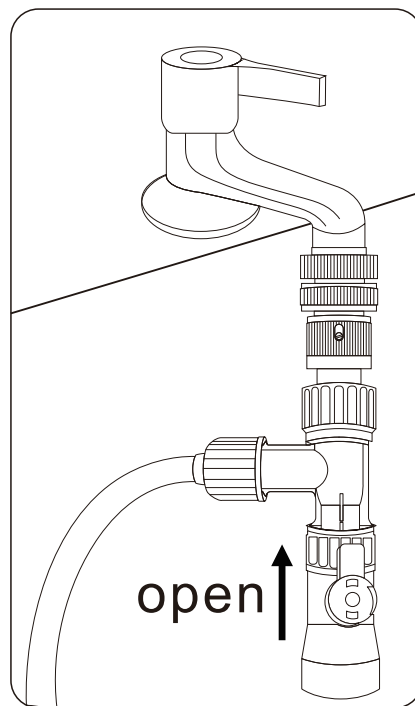
1. TO VACUUM: Attach water flow assembly to faucet using the included faucet adaptor.



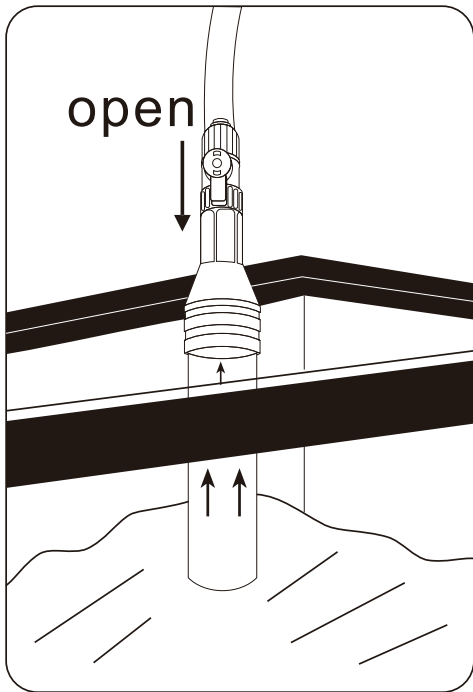
2. Close the gravel tube valve.



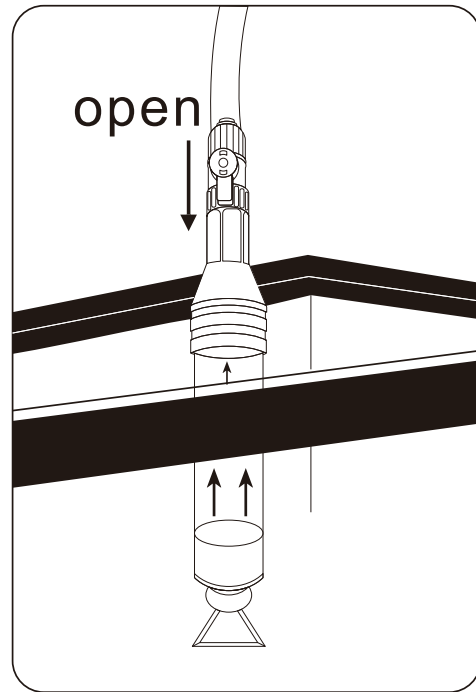
3. Submerge gravel tube in aquarium water.



4. Open water flow assembly valve, then turn on faucet.

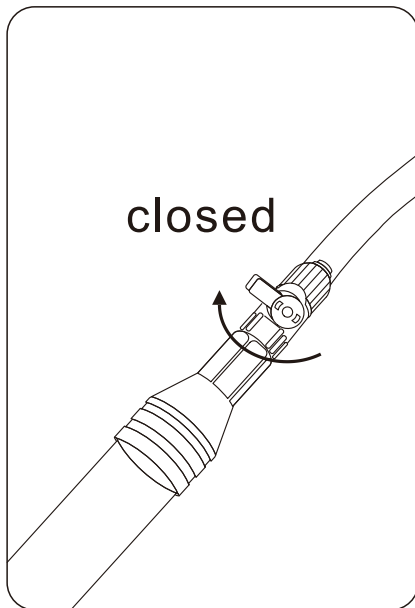


5. Open gravel tube valve to begin vacuuming. If sand enters the gravel tube, adjust valve on the gravel tube to reduce the water flow.

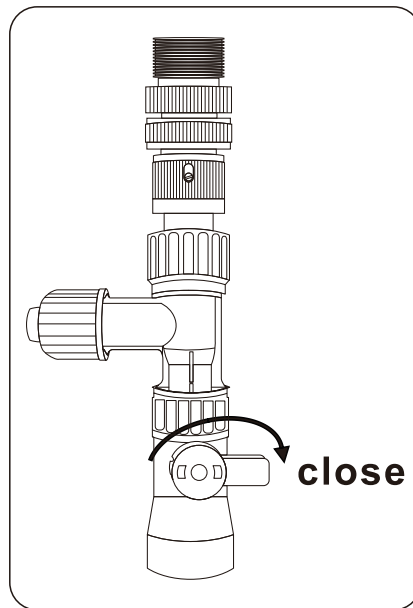


6. To remove debris: at gravel-free aquarium, you can use a debris vacuum to suck out detritus/fish wastes.

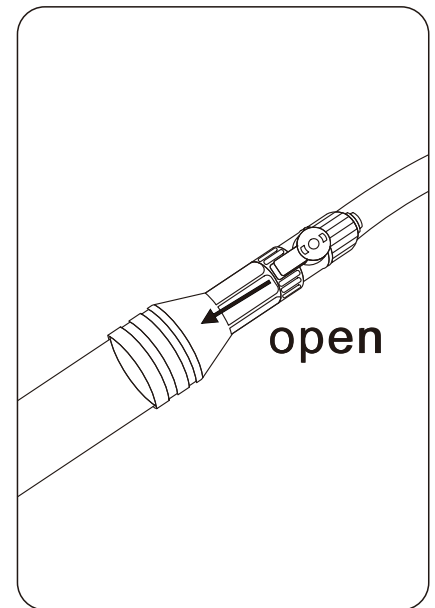
7. TO FILL :



A. Close the gravel tube valve



B. Close the multi-connection faucet adaptor



C. Open gravel tube valve

TIPS:

Please make sure that the water flow is strong, then the water can agitate the gravel to suck out debris.

Please don't bend the hose, keep it smooth, otherwise it may cause slow water flow and affect drainage efficiency.



4. ATTENTIONS:

Please read this user manual carefully before use and follow strictly in accordance with the manual.

- Keep away from children.
- Ensure the gravel tube valve is closed before using the aquarium gravel vacuum.
- Do not use the gravel cleaner in flammable or corrosive liquid.
- Do not use the gravel cleaner water that is too hot or too cold (temperature above 97°F or under 36°F) as it will damage the material.

5. PACKAGE INCLUDED:

- 1 × Gravel tube Φ2inch
- 1 × Water flow control valve
- 1 × Multi-connection faucet adaptor
- 1 × Hose Φ 1/2 x 5/8 inch (12x16mm)
- 1 × Debris Vacuum
- 1 × User manual

6. CONTACT INFORMATION

E-mail: service@hygger-online.com

Website: www.hygger-online.com

Thank you for choosing Hygger, making aquarium keeping easier one product at a time.

If you have any problems or suggestions for the gravel cleaner, please contact us by email before leaving feedback or opening a case, it will be the fastest way to solve your problem.

If you are satisfied with the auto aquarium gravel cleaner, please leave positive feedback for our product, in order to let more customers enjoy it. Thanks again!



4. ATTENTIONS:

Please read this user manual carefully before use and follow strictly in accordance with the manual.

- Keep away from children.
- Ensure the gravel tube valve is closed before using the aquarium gravel vacuum.
- Do not use the gravel cleaner in flammable or corrosive liquid.
- Do not use the gravel cleaner water that is too hot or too cold (temperature above 97°F or under 36°F) as it will damage the material.

5. PACKAGE INCLUDED:

- 1 × Gravel tube Φ 2inch
- 1 × Water flow control valve
- 1 × Multi-connection faucet adaptor
- 1 × Hose Φ 1/2 x 5/8 inch (12x16mm)
- 1 × Debris Vacuum
- 1 × User manual

6. WARRANTY:

1. 1-year warranty.
2. 1-month free return.
3. Free replacement for 3 months.

7. Contact information:

Website: www.hygger-online.com
E-mail: Mago@hygger-online.com



Thank you for choosing Hygger, making aquarium keeping easier one product at a time.

If you have any problems or suggestions for the gravel cleaner, please contact us by email before leaving feedback or opening a case, it will be the fastest way to solve your problem.

If you are satisfied with the auto aquarium gravel cleaner, please leave positive feedback for our product, in order to let more customers enjoy it. Thanks again!

E-mail: Mago@hygger-online.com

Website: <http://www.hygger-online.com>

Facebook: <https://www.facebook.com/shenzhenmago>

Or @shenzhenmago

EC REP

Puhui Import und Export GmbH
Birnbbaumsmühle 65
Frankfurt(Oder) 15234
Briefkasten: admin@puhui-jk.de
Telefonnummer: +03381-2697990

UK REP

CET Product Service Ltd.
Beacon House Stokenchurch Business
Park, Ibstone Rd, Stokenchurch
High Wycombe HP14 3FE UK
info.cetservice@gmail.com
+447419325266



Made in china