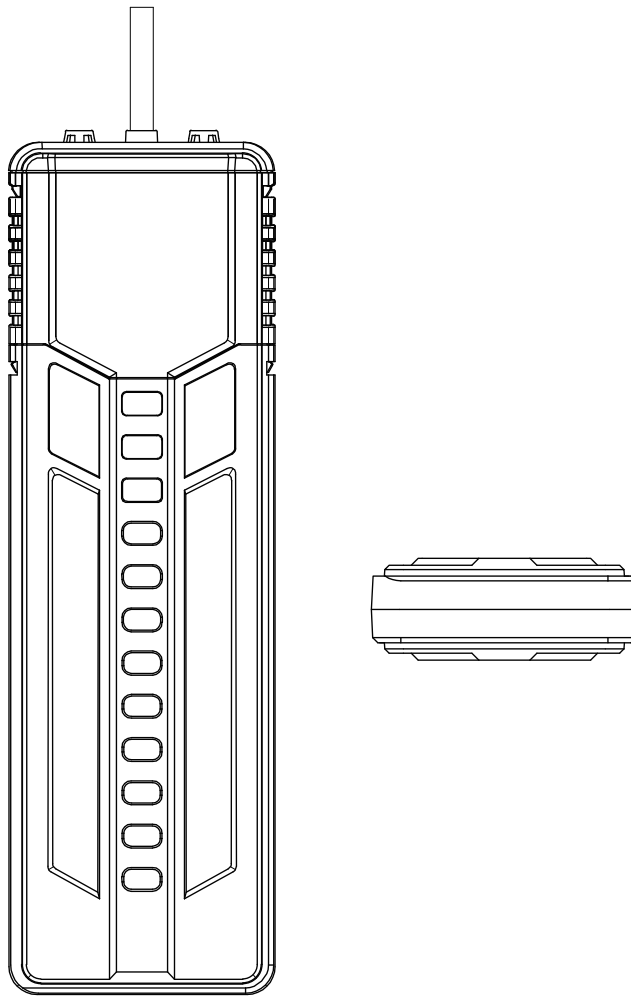




## **HG-969 USER MANUAL**

**Hygger Smart Titanium steel Heater**



**Hygger Smart Titanium Steel Heater  
is the perfect aquarium heater for your  
larger freshwater and saltwater aquariums.**

# 1. PRODUCT FEATURES

**Fully submersible:** The heater is fully submersible and must be immersed in water.

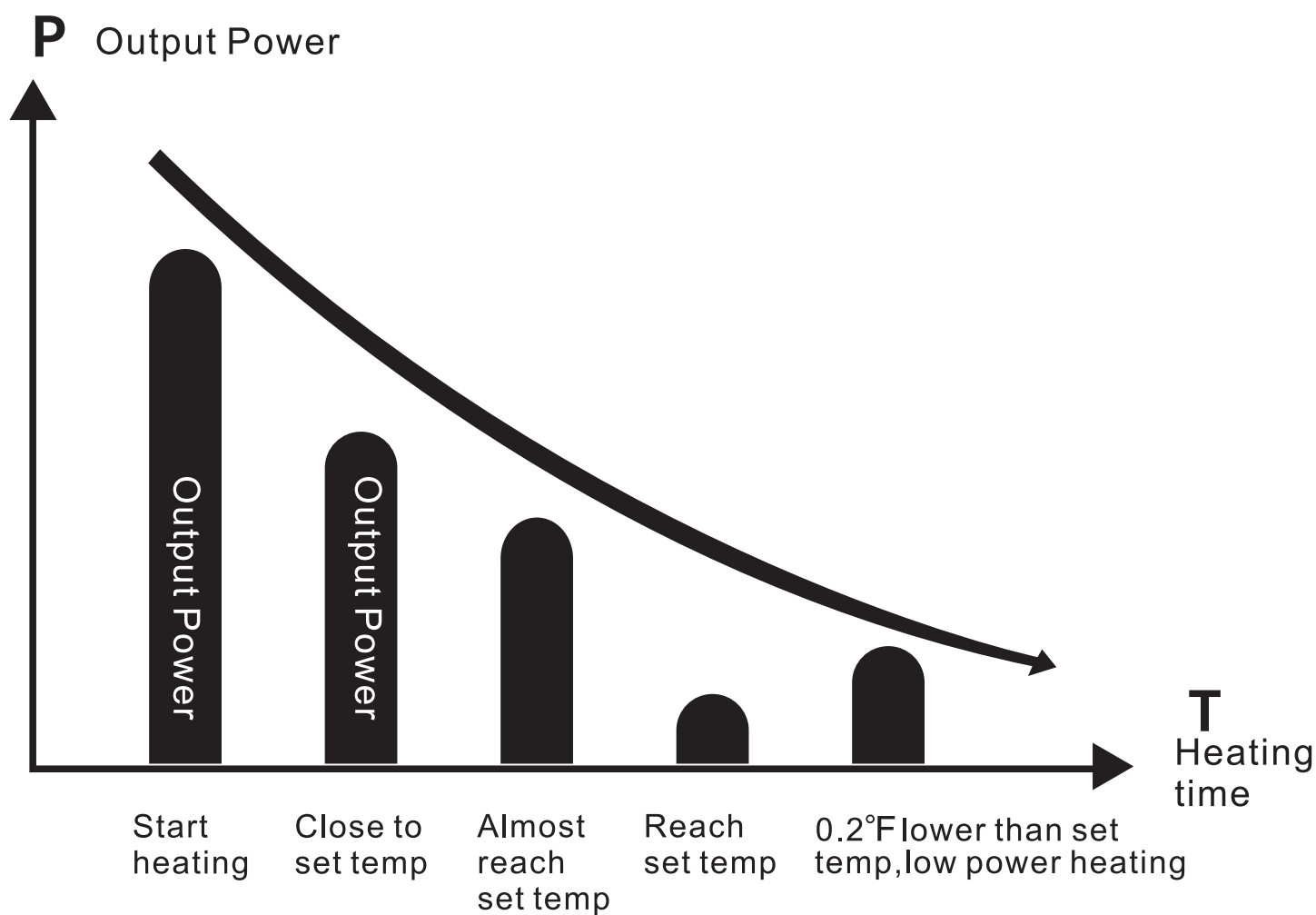
**Rapid heating rate:** The heating rod is made of titanium steel material and heats water faster due to the conductive properties of metal.

**Dual relay design:** One heater with two relays is similar to two hearts for a person. It offers an additional layer of protection.

**LED digital temperature display:** LED digital display shows the water temperature clearly and accurately.

**External temperature display controller:** Easy to set the desired temperature.

**Unique design saves more energy**



**Safety control protects against overheating:** If the water temperature passes 36°C(97°F), the heater automatically turns off. When the water temperature falls to less than 35°C(95°F), the heater will start working again.

**Low water level automatic shut off :** When the heating rod is exposed to air, the heater will shut off automatically. When the heating rod is completely immersed in water, it will start working again.

**Accurate and extended duration:** Made of premium material and with scientific design, our heater will provide years of reliable use.

**Memory function:** If power is lost, the heater will keep the last preset temperature once it powers on again.

**Equipped with ABS protective sleeve:** Prevents small fish from being harmed.

## 2. PRODUCT PARAMETERS

Model No	HG-969	
Power	500W	800W
Voltage	110-120V/60Hz	
Cord length	5ft+5ft	5ft+5ft
Application	60-120Gal	120-180Gal
Temp Accuracy	±0.1°F	±0.1°F
Control Range	68°F~93°F	68°F~93°F
Heating Rod Dimension	7.9x3x1.1 inch	9.6x3x1.1 inch
Temp Controller Dimension	5.7x3.2x1.1 inch	5.7x3.2x1.1 inch

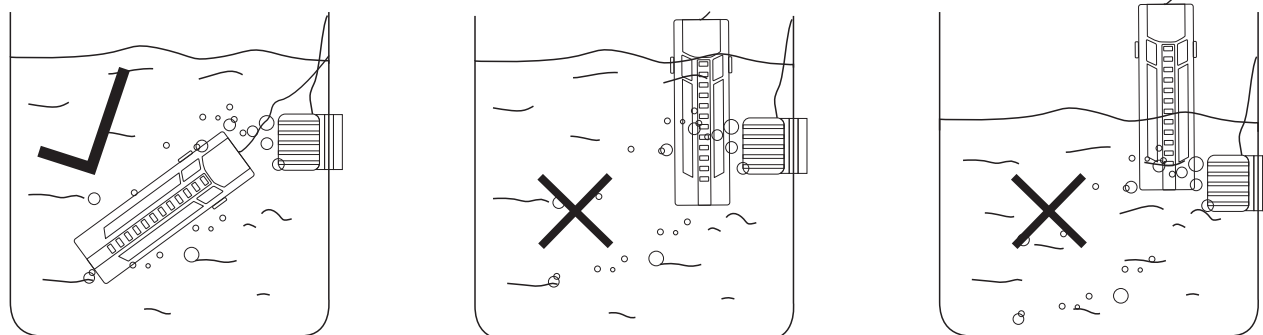
## 3. PACKAGE INCLUDED

1× Smart titanium steel heating rod with sleeve and IC temperature controller



1× User manual

## 4. APPLICATION

**A.** Place the heater as shown in the following diagram:



**B.** Plug into power and the IC temperature controller will display the water temperature and the preset temperature. Press the “SET”

button (  ) and the digital temperature will flash three times on the display. Press until reach your desired temperature value and display will flash the desired temperature value three times before returning to the current tank temperature. Your heater is now set. You can press the “  ” button repeatedly to display 68~93°F

### C. Digital display models

1. Out of water: The heating rod is out of water and displays the fault code “ER”; the heater will stop heating.
2. Malfunction: The heater will display a fault code for troubleshooting.
3. Setting temperature: Setting the desired value



## 5. TROUBLESHOOT

Fault Code	E xplanation	S olutions
Er	Heating rod is exposed to air.	Place the heating rod fully in water.
EH	The water temp is higher than 97°F.	Cool the water to return it to normal temperature.
Ec	Communication failure	Discard the heater
E3	The relay is melted.	Discard the heater
H1	Temperature sensor is short-circuit protection.	Discard the heater

## 6. WARNING

To guard against injury, basic safety precautions should be observed including the following:

1. Read and follow this user manual strictly.

2. **DANGER**-To avoid possible electric shock, special care should be taken since water is employed in the use of aquarium equipment. For each of the following situations, do not attempt to repair yourself; return the heater to an authorized service facility for service or discard the heater.

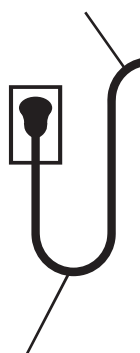
**A.** If the heater shows any sign of abnormal operation, unplug the power and remove the heater from water after 15 minutes.

**B.** Carefully examine the heater after installation. It should not be plugged in if there is water on parts not intended to be wet.

**C.** Do not operate the heater if it has a damaged cord or plug, if it is malfunctioning or if it is dropped or damaged in any manner. The power cord of this heater cannot be replaced, if the cord is damaged, the heater should be discarded.

**D.** To avoid the possibility of the heater plug getting wet, position aquarium stand and tank to one side of a wall mounted outlet to prevent water from dripping onto the outlet or plug. A “drip loop”, shown in the figure below, should be arranged by the user for each cord connecting the heater to the outlet. The “drip loop” is the part of the cord below the level of the outlet, or the connector. If an extension cord is used, to prevent water traveling along the cord and coming in contact with the outlet. If the plug or outlet does get wet, **DO NOT** unplug the cord. Disconnect the fuse to the circuit breaker that supplies power to the heater. Then unplug and examine for the presence of water in the outlet.

**POWER CORD**



**DRIP LOOP**

3. Close supervision is necessary when the heater is used near children. Daily supervision is necessary when the heater is being used.
4. This heater is not allowed to use by persons (including children) with reduced physical, sensory or mental capabilities, or lack of experience and knowledge, unless they have been given supervision or instruction concerning use of the heater by a person responsible for their safety.
5. To avoid injury, do not contact moving parts or hot parts.
6. Always unplug the heater from the outlet when not in use, before putting on or taking off parts, and before maintenance or placing hands in the water. Never yank the cord to pull plug from outlet. Grasp the plug and pull gently to disconnect.
7. Do not use the heater for other than intended use. The use of attachments not recommended or sold by the appliance manufacturer may cause an unsafe condition.
8. Do not install or store the heater where it will be exposed to the weather or to temperatures below freezing.
9. Only use in freshwater or saltwater aquariums; do not use the heater in other liquids.
10. Make sure the heater is securely installed before operating it.
11. Read and observe all the important notices on the heater.
12. If an extension cord is necessary, a cord with a proper rating should be used. A cord rated for less amperes or watts than the heater rating may overheat. Care should be taken to arrange the cord so that it will not be tripped over or pulled.
13. The 2-conductor power cord has a polarized plug (one blade is wider than the other). As a safety feature, this plug will fit in a polarized outlet only one way. If the plug does not fit fully in the outlet, reverse the plug. If it still does not fit, contact a qualified electrician. Never use with an extension cord unless plug can be fully inserted. Do not attempt to defeat this safety feature.
14. The heater is intended FOR HOUSEHOLD USE ONLY.
15. SAVE THIS USER MANUAL.

## 7.ATTENTIONS

- Please check all the items to inspect condition when unboxing the package.
- Please read the instructions carefully. Use and follow the instructions strictly.
- Please choose a heater for a suitably sized aquarium.
- Please place the heating rod in the way of water flow and don't bury it.
- Please place the heating rod fully submersed in water when it's on duty. Unplug the heater and wait for 15 minutes before changing water or removing the heater.
- Please keep in mind that the heater can be turned off automatically when exposed to air, but it is a last resort and should be avoided.
- After using of the heater, calcium carbonate contained in algae and breeding water such as moss may clump and adhere to the heating rod. If dirt adheres to the heating rod, use a sponge or cloth and water to wipe it. Do not use alcohol or other medicines as this may damage the heater or damage the health of the fish.

When used for a long time with the dirt attached, please be aware that it may cause failure due to the inability to control the temperature correctly.

## 8.DISPOSAL

Do not dispose this product as unsorted municipal waste. Collection of such waste separately for special treatment is necessary. This product must not be disposed together with the domestic waste. This product has to be disposed at an authorized place for recycling of electrical and electronic appliances. By collecting and recycling waste, you help save natural resources, and make sure the product is disposed in an environmentally friendly way.



## CONTACT INFORMATION

E-mail: [service@hygger-online.com](mailto:service@hygger-online.com)

Website: [www.hygger-online.com](http://www.hygger-online.com)

**Thank you for choosing Hygger,  
making aquarium keeping easier one product at a time.**

If you have any problems or suggestions for the smart PTC heater, please contact us by email before leaving feedback or opening a case, it will be the fastest way to solve your problem.

If you are satisfied with the smart PTC heater, please leave positive feedback for our product, in order to let more customers enjoy it.

Thanks again!