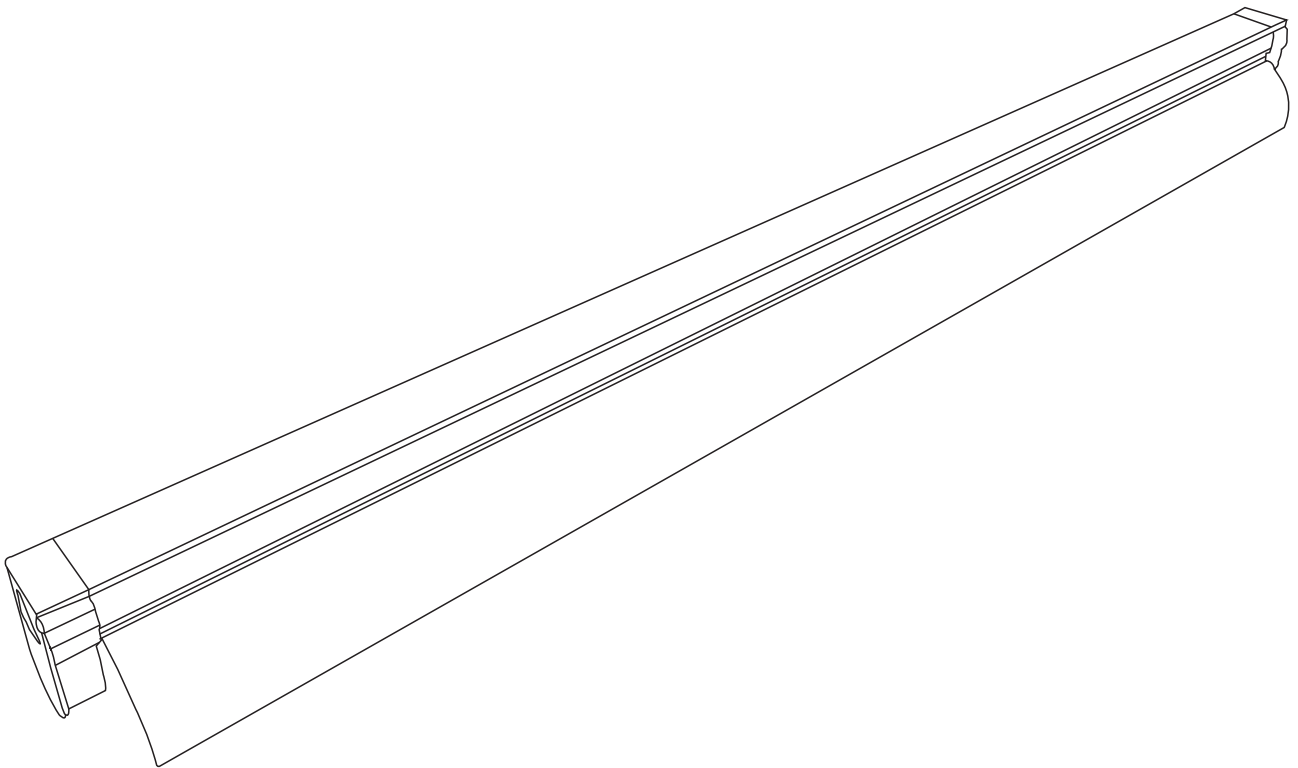




HZ013 USER MANUAL

Hygger zoo T5 HO UVB Lighting Combo Kit



Hygger zoo T5 HO UVB Lighting Combo Kit is specially designed for reptiles, simulating the irradiation of UVB and UVA from natural sunlight and providing UVB and UVA light for lizards and turtles indoors. To promote the synthesis of Vitamin D3 in reptile pets, convert the calcium obtained from food, improve the metabolism in the body, and maintain the normal physiological activities of reptile pets.

1.PRODUCT SPECIFICATION

Input voltage: AC120V 60Hz

Working temperature: - 20°C to 80°C

Service life: 10000 hours

Power: 8W (12inches); 24W (22inches)

Light type: T5 Fluorescent

Spectrum: 10% UVB+ 30% UVA+ Visible light

Color temperature: 6000K

12 Inches of UVB radiation: (8W)30 μ W/cm²; (24W)70 μ W/cm²

Suitable for pets: Bearded dragons, chameleons, turtles, snakes, frogs, salamanders, etc.

2.INSTALLATION INSTRUCTIONS

Part 1 Notes before use

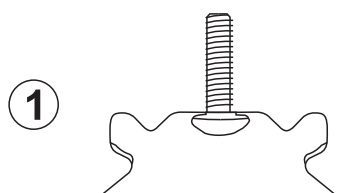
- 1) Ensure the lamp and its holder are operated in a power-off state.
- 2) Check whether the lamp and tube are in good condition.

Part2 Installations procedures

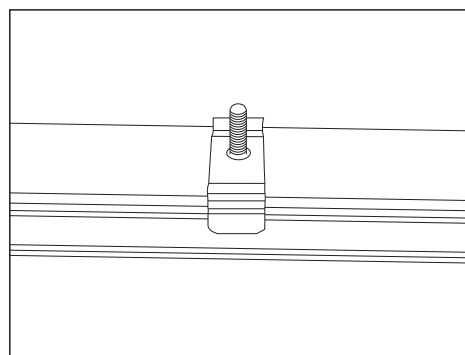
- 1) The metal terminals at both ends of the fluorescent are completely inserted into the card slot of the lamp holder; grasp both ends of the lamp with both hands and rotate it downward 90°.
- 2) Connect the "Kettle plug" of the power cord to the "Kettle cord" at either end of the lamp.
- 3) Before switching on the power supply, ensure that the switch is in the "off state", meaning the end of the switch with a raised bar is tilted up.
- 4) Place the lamp holder on the top of the reptile terrarium, which is recommended to be about 12-18inches(30-45cm) from the bottom.

Part 3 Installation instructions for under the mesh

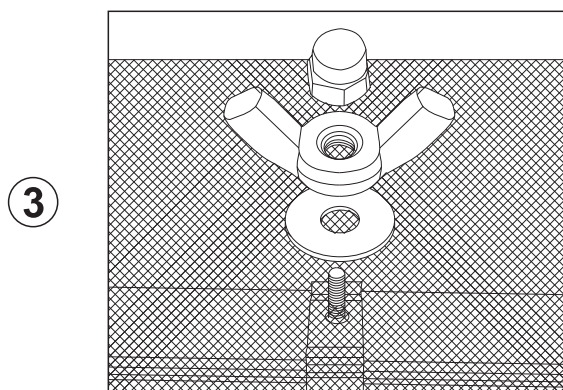
- 1) Insert the long screw upwards into the buckle and embed the buckle at both ends into the top cover of the lamp.



②



2) Place the lamp in an appropriate position on the mesh cover of the reptile terrarium, and install the gasket, butterfly nut, and nut cover on the bolt in turn.



3. INSTRUCTION FOR USE

1) Duration of use: 8-12 hours per day is recommended, and the time can be adjusted as needed.

2) Replacement cycle: Although the light has an expected life of 10,000 hours, it is recommended to replace the lamp every 6-12 months to ensure optimal UVB output.

4. ATTENTIONS

1) Avoid moisture: This product is not waterproof, do not use it in humid environments, and avoid the lamp contact with water.

2) Power safety: When installing and maintaining, please ensure the power is off to avoid danger.

3) Keep away from children: Please install the lamp where children can not reach.

5. PACKING LIST

1x T5 HO UVB Lighting Combo Kit

1x Accessories package

1x User manual

6. CONTACT INFORMATION

E-mail: service@hygger-online.com

Website: www.hygger-online.com